



This table has been created to help you in your selection. Feel free to contact us for help.

Spring		Strength	Door mass (kg)			Door width (cm)				Opening Angle maxi	Door material		
			< 100	< 150	< 250	< 750	750 - 850	850 - 950	PMR		Metal	Timber	
									950 - 1100				1100 - 1250
Floor spring	TSA	1-3			●	●	●	●			107°	●	●
	TSP	1-3			●	●	●	●			107°	●	●
	TSD A	1-3			●	●	●	●			180°	●	●
	Janus	3-5		●					●	●	180°	●	●
	Minos	3-4		●					●	●	180°	●	●
	BTWIST glass	3	●						●		150°		
	BTWIST concealed	3	●						●		150°	●	●
Lintel spring	Janus lintel	3-5		●					●	●	180°	●	●
	Lintel spring kit	2-4	●						●	●	130°	●	●

How to choose a spring ?

What door ?

- Width (m)
- Height (m)
- Mass (kg)
- Thickness (mm)
- Material (wood, glass, metal, aluminium, PVC, steel...)
- Type of door (thermal bridge breaks, full height, gaskets...)

Accessibility for persons with reduced mobility (PMR) ?

- Handle effort

type of use ?

- Type of passage (landing door, public place, emergency exit...)
- Frequency of use (traffic intensity,...)
- Fire break, flame arrester, evacuation route

50 N
maxi
at the handle
in France

What type of building ?

- IGH (high rise building - stairwell air column)
- ERP - Public building
- Private property

What type of environment ?

- Geographical situation (salty, sandy, humid, chlorinated, windy, cold & hot environment...)

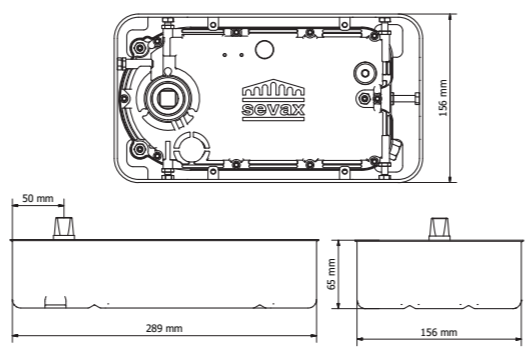
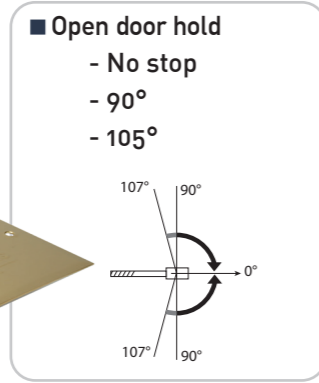
18 janvier 2023



Springs

Floor

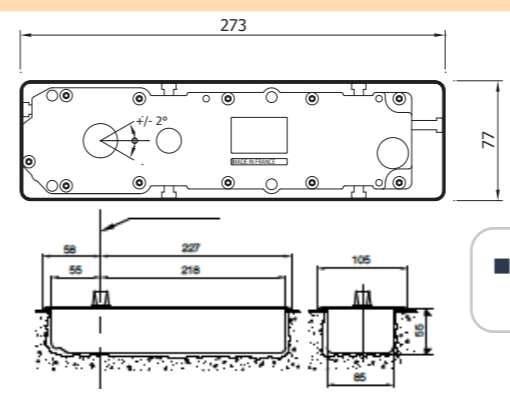
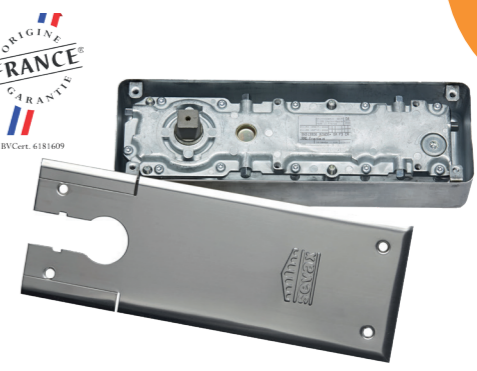
TSA



Springs

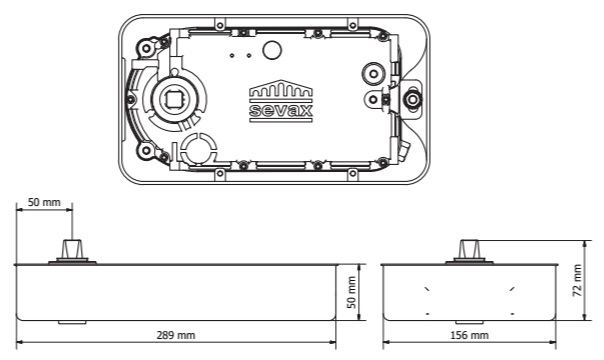
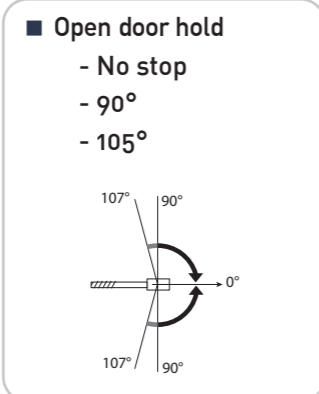
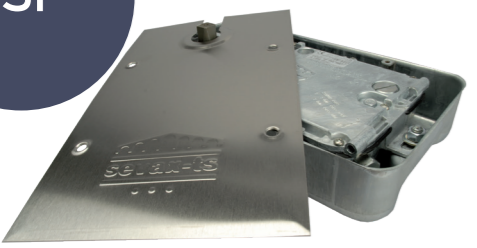
Floor

Minos+

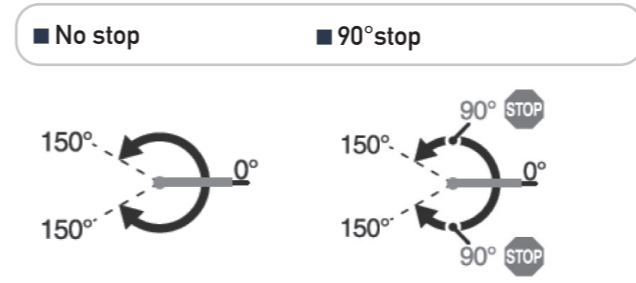


■ Closing speed regulation from 180° to 0°

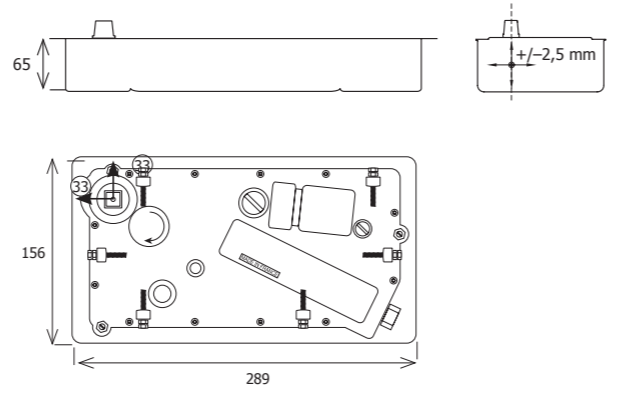
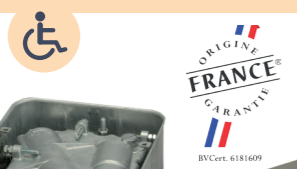
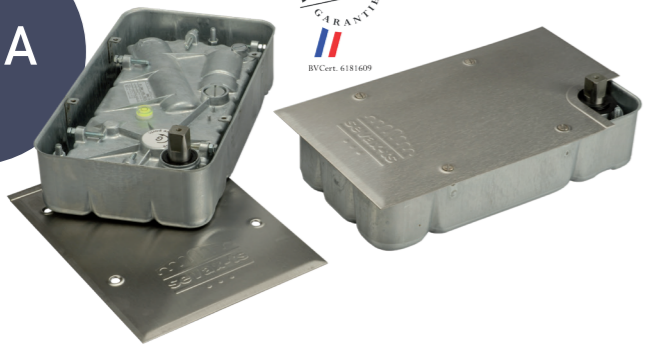
TSP



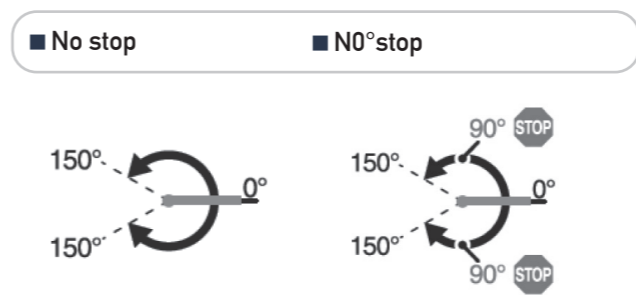
BTWIST glass



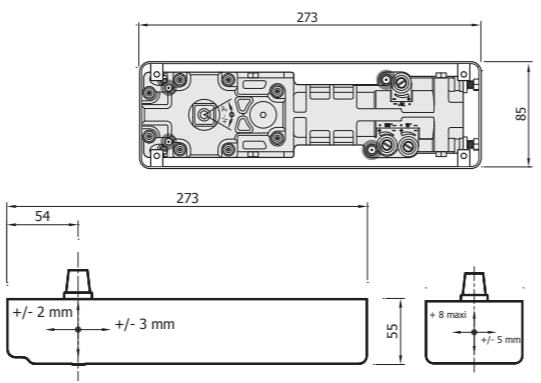
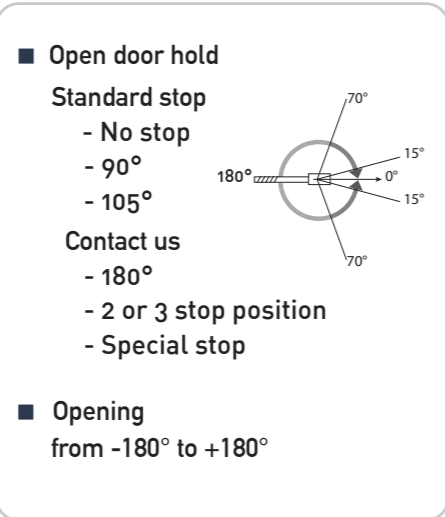
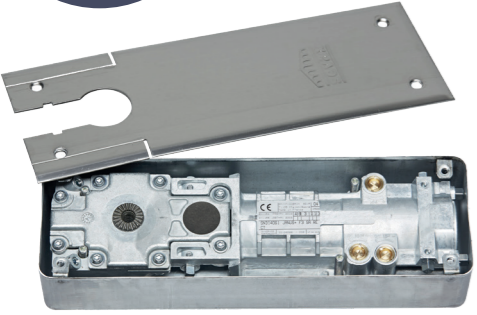
TSDA



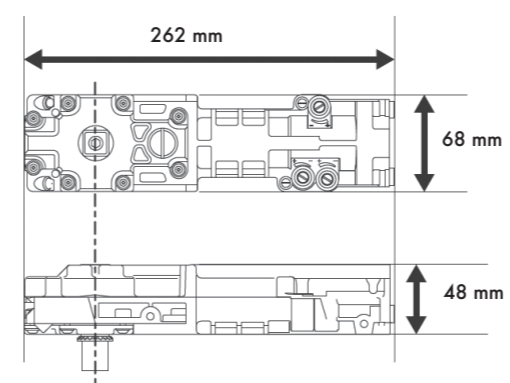
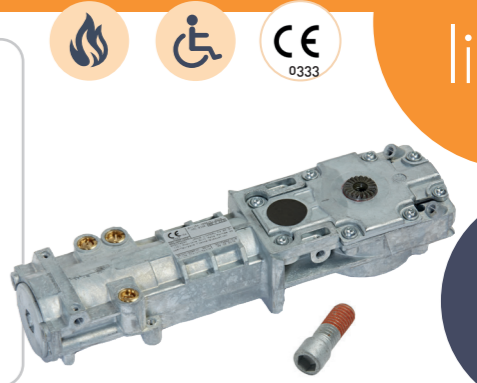
BTWIST concealed



Janus+



Janus intel

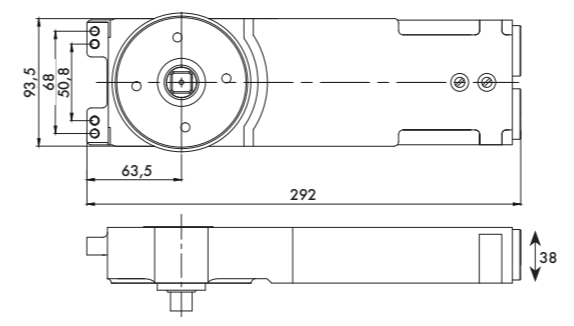
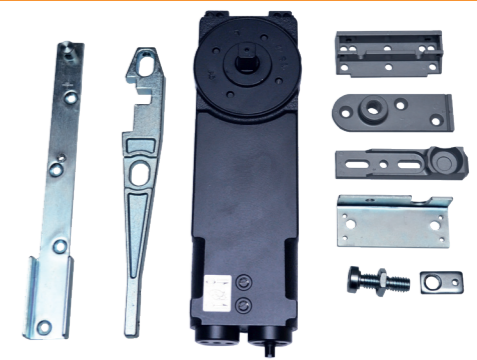


■ Open door hold

- No stop
- 90°
- 105°
- Special or several stop on demand

■ Opening de -180° à +180°

Lintel spring kit



■ Stop

- No stop
- 90°
- 105°