

8042.3113.071

Garnitur, HAWA DIVIDO 100 GRM, für 1 Tür

Material: several materials

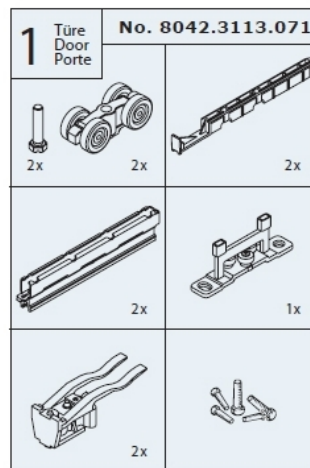
Glass thickness: 6 - 10 mm

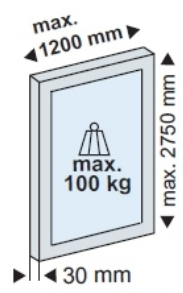
Sales unit (SU): St

Unit package: 1.00

Carrying capacity: 100 kg/set

für 1 Glastüre, max. 1200 x 2750 mm





5.9 - 6.4 mm Glas

8 - 10 mm Füllmaterial