

62.14685.32

Vitrinenschloss

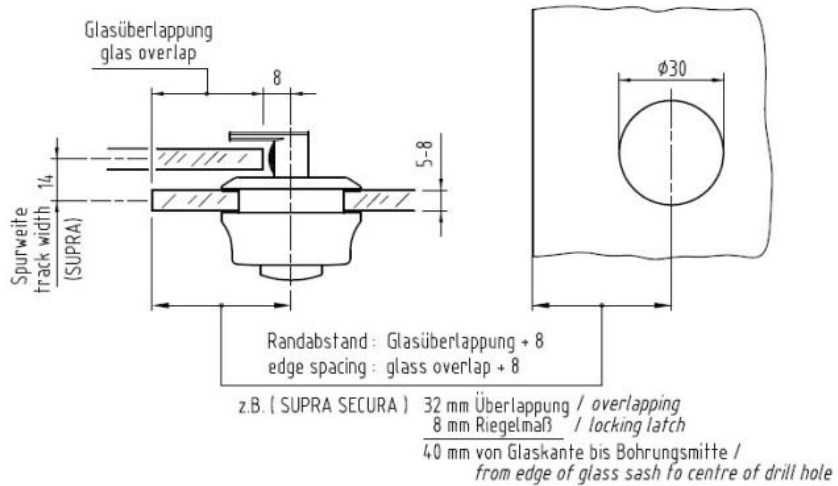
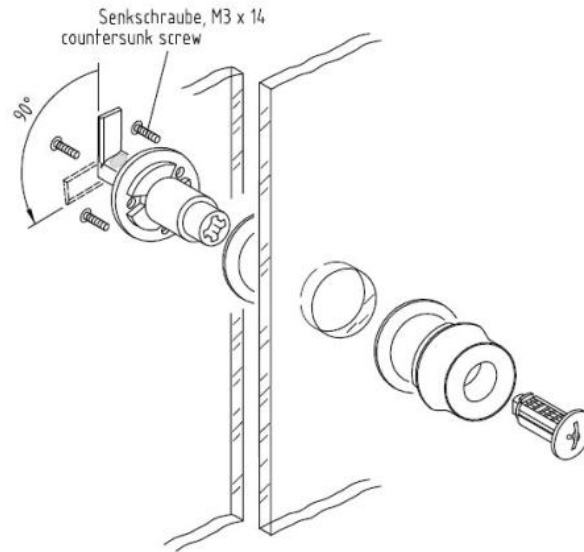
Material: zinc die cast
Finish: aluminium colour
Mounting: different keys
Glass thickness: 4 - 8 mm
Sales unit (SU): St
Unit package: 1.00
Shape: round
Glass processing: Glass drill hole : Ø30 mm

Achtung: Kern und Schlüssel nicht mitgeliefert



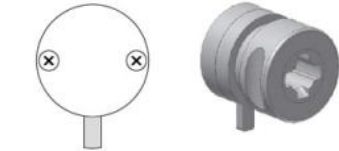
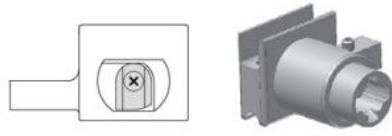
Montage Glasscheiben - Umgriffschloss Assembly of the security cylinder glass door lock

Glasscheiben - Umgriffschlösser sind kompatibel mit SECURA Dreh-Druckzylinderschlössern !
 Security cylinder glass door locks are compatible with the SECURA cylinder locks !



Montage oder Demontage von Innenzylinder
Assembly or disassembly of the cylinder core

Lage der Schließhebel - Montage / Demontage
Position of the locking bolt - assembly / disassembly



Montage Innenzylinder
Assembly of the cylinder core



Demontage Innenzylinder
Disassembly of the cylinder



Art.-Nr. 606 640
Art.-No.