

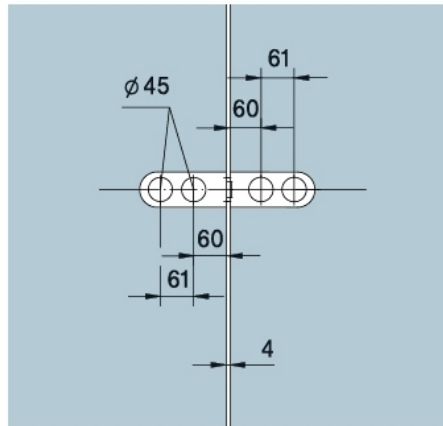
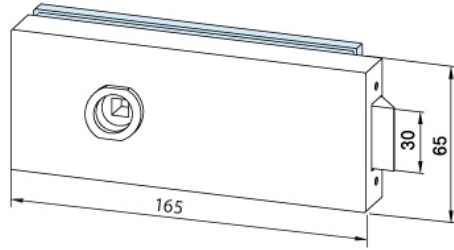
29.10001.22

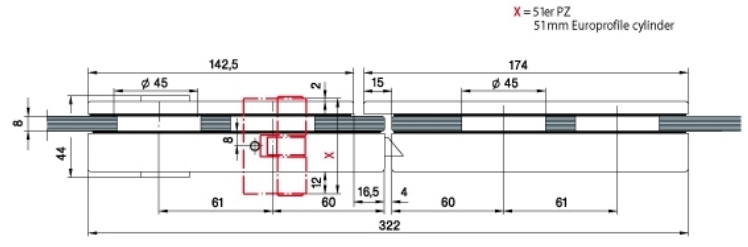
Schloss Studio Classic, unverschliessbar

Material: aluminium
Finish: natural anodized EV1
Mounting: DIN left/right
Glass thickness: 8 / 10 mm
Sales unit (SU): St
Unit package: 1.00
Shape: square
Glass processing: Notch

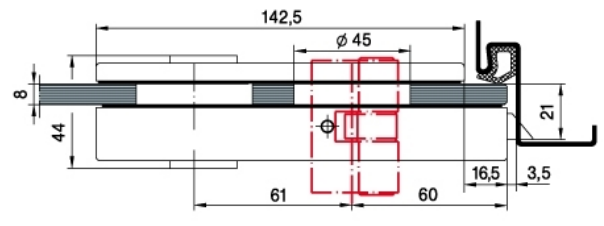
Schloss mit Drückerführung







X = 51er PZ
51mm Europrofile cylinder



X = 51er PZ
51mm Europrofile cylinder