

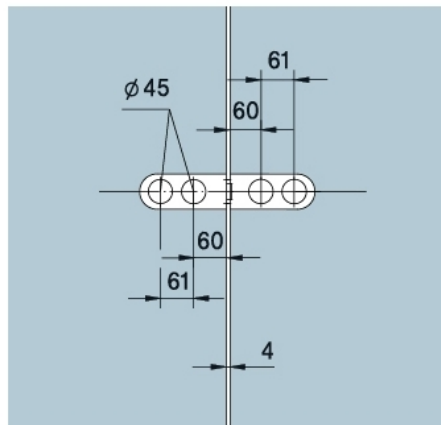
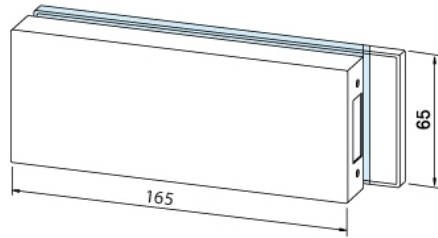
**29.10005.24**

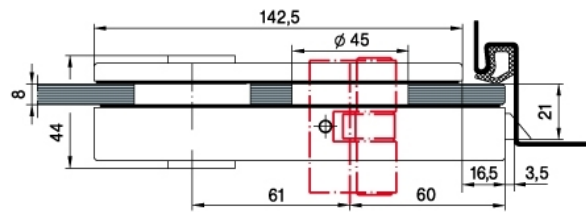
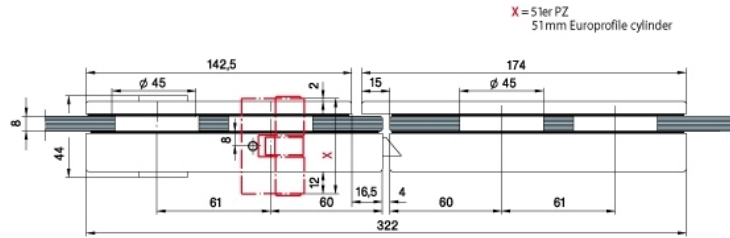
## Gegenkasten Studio Classic

Material: aluminium  
Finish: inox effect  
Mounting: DIN left/right  
Glass thickness: 8 / 10 mm  
Sales unit (SU): St  
Unit package: 1.00  
Shape: square  
Glass processing: Notch

zu Glastürschlösser Studio Classic







X = 51er PZ  
51mm Europrofile cylinder