

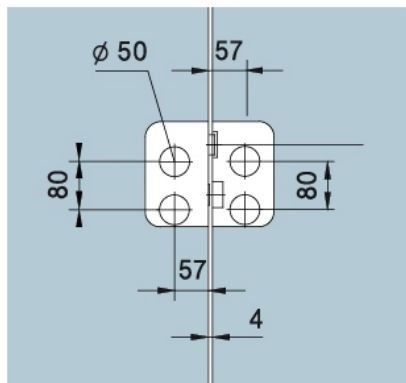
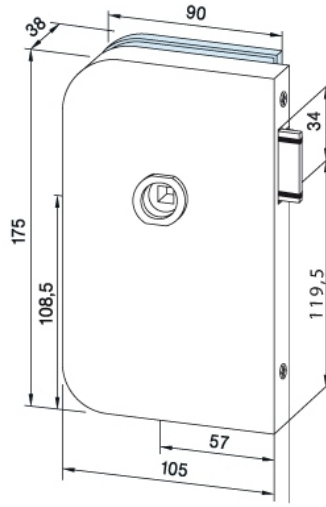
29.11265.24

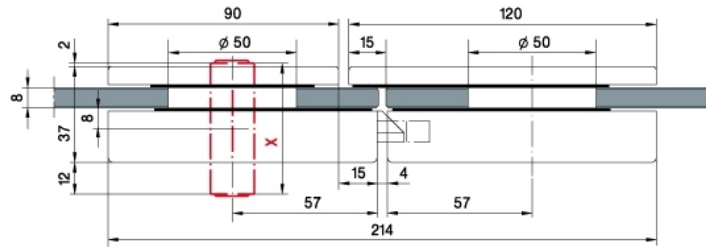
Junior Office - Schloss, unverschliessbar

Material: aluminium
Finish: inox effect
Mounting: DIN right
Glass thickness: 8 / 10 mm
Sales unit (SU): St
Unit package: 1.00
Shape: rounded off
Glass processing: Notch

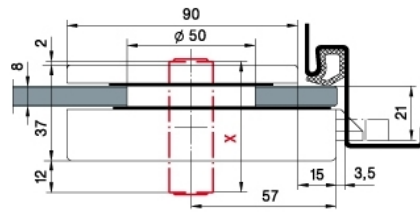
Schloss mit Drückerführung







X = 51er PZ
51 mm Europrofile cylinder



X = 51er PZ
51 mm Europrofile cylinder