

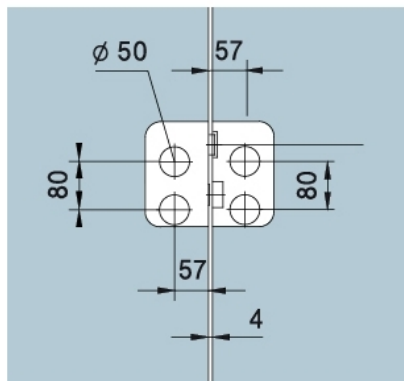
29.11267.22

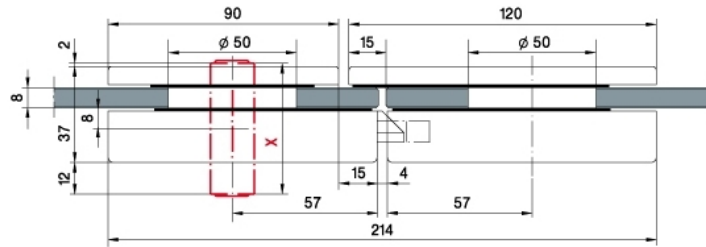
Junior Office - Schloss, vorgerichtet für KABA-Zylinder

Material: aluminium
Finish: natural anodized EV1
Mounting: DIN right
Glass thickness: 8 / 10 mm
Sales unit (SU): St
Unit package: 1.00
Shape: rounded off
Glass processing: Notch

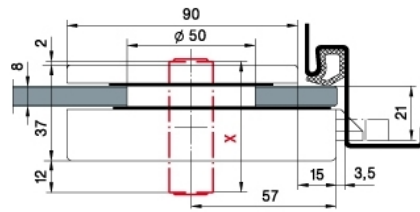
Schloss mit Drückerführung







X = 51er PZ
51 mm Europrofile cylinder



X = 51er PZ
51 mm Europrofile cylinder