

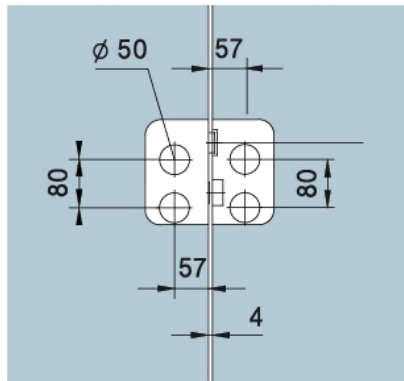
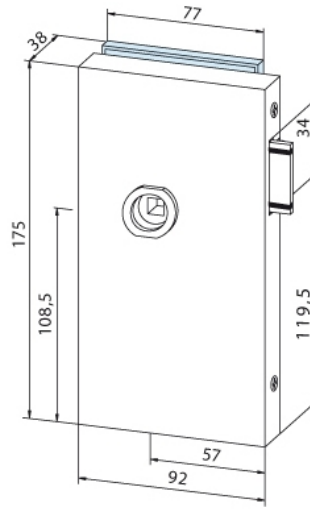
29.11284.22

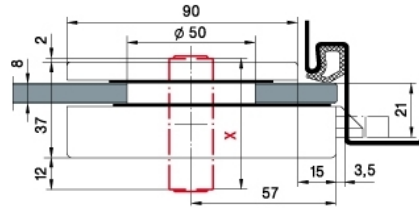
Junior Office Classic - Schloss, unverschliessbar

Material: aluminium
Finish: natural anodized EV1
Mounting: DIN left
Glass thickness: 8 - 12 mm
Sales unit (SU): St
Unit package: 1.00
Shape: square
Glass processing: Notch

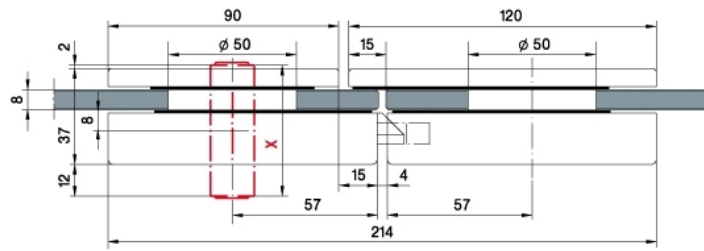
Schloss mit Drückerführung







X = 51er PZ
51mm Europrofile cylinder



X = 51er PZ
51mm Europrofile cylinder