

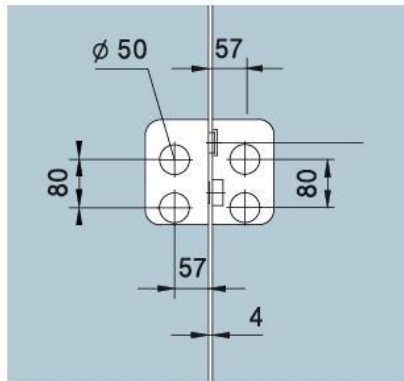
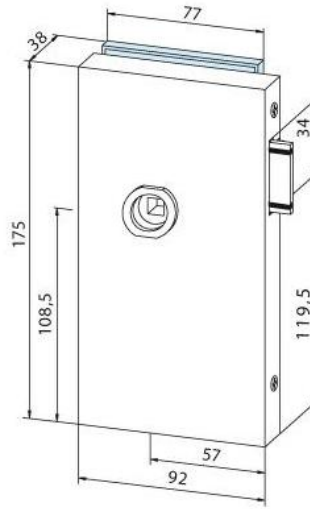
29.11285.24

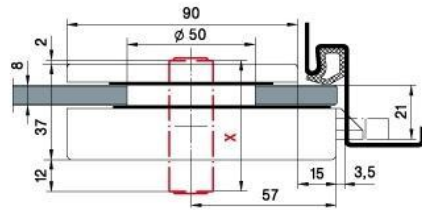
Junior Office Classic - Schloss, unverschliessbar

Material: aluminium
Finish: inox effect
Mounting: DIN right
Glass thickness: 8 - 12 mm
Sales unit (SU): St
Unit package: 1.00
Shape: square
Glass processing: Notch

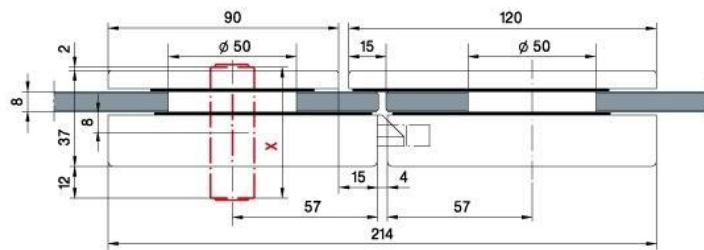
Schloss mit Drückerführung







X = 51er PZ
51mm Europrofile cylinder



X = 51er PZ
51mm Europrofile cylinder