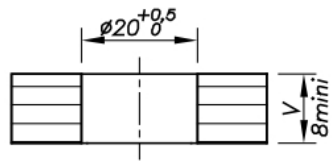
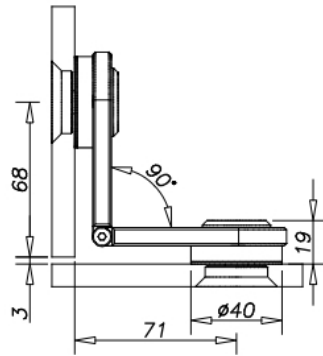


## 74.26204.16

Glass connector 2 flat parts wall/glass, ajustable 90° to 180°, cylindrical screw

Material: inox V2A  
Finish: brushed  
Mounting: glass/glass  
Glass thickness: 8 - 12 mm  
Sales unit (SU): St  
Unit package: 1.00  
Shape: round  
Glass processing: Notch  
Carrying capacity: 50 kg/pair





Cylindrique / Cylindrical