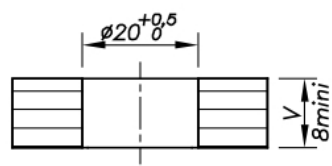
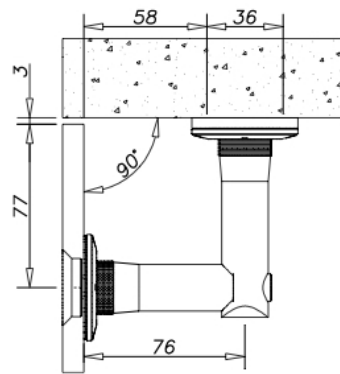


74.24285.16

Glass connector 2 parts, fixed, cylindrical screw

Material: inox V2A
Finish: brushed
Mounting: glass/wall
Glass thickness: 12.76 - 17.52 mm
Sales unit (SU): St
Unit package: 1.00
Shape: round
Glass processing: Notch
Carrying capacity: 100 kg/pair





Cylindrique / Cylindrical