

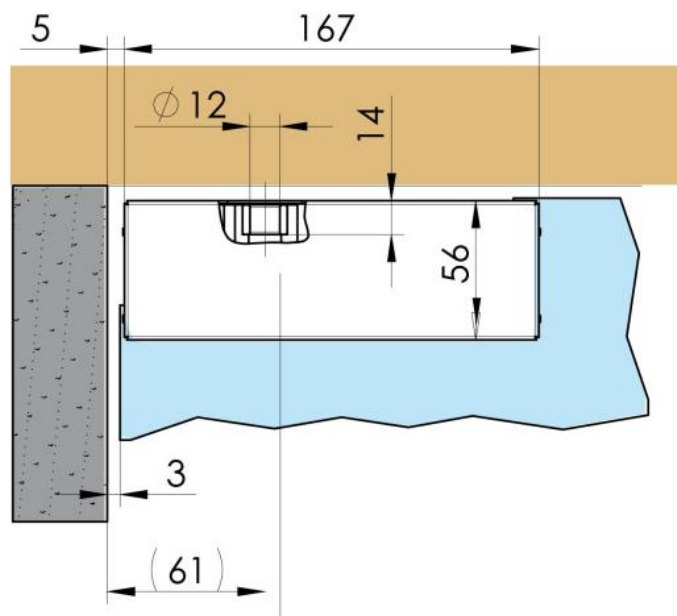
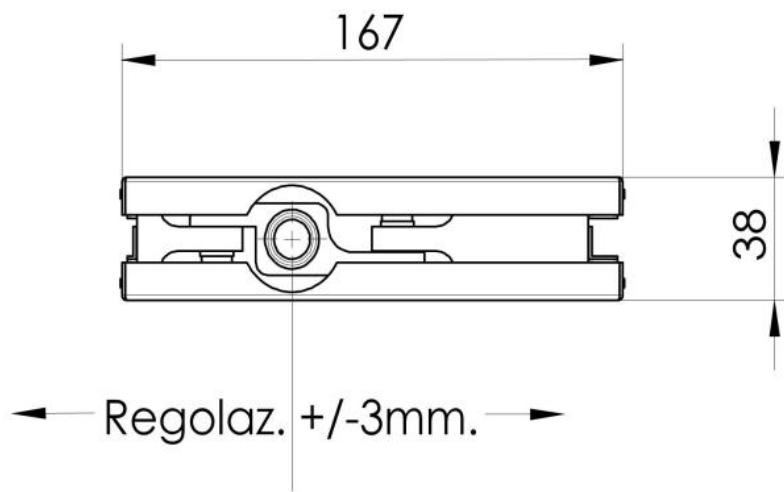
## 31.80220.24

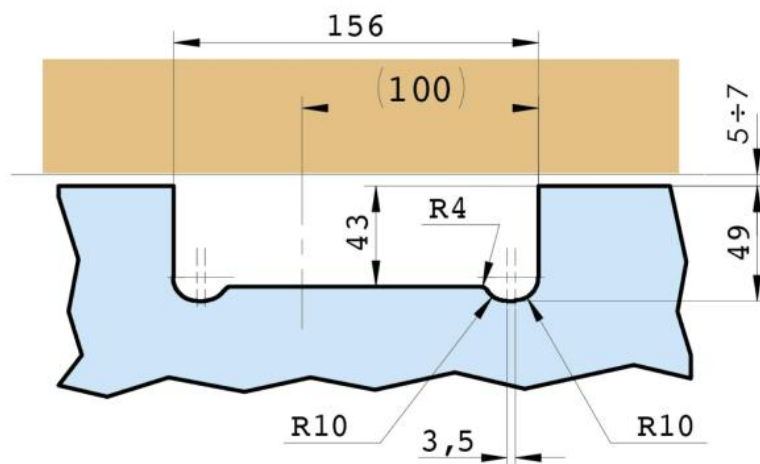
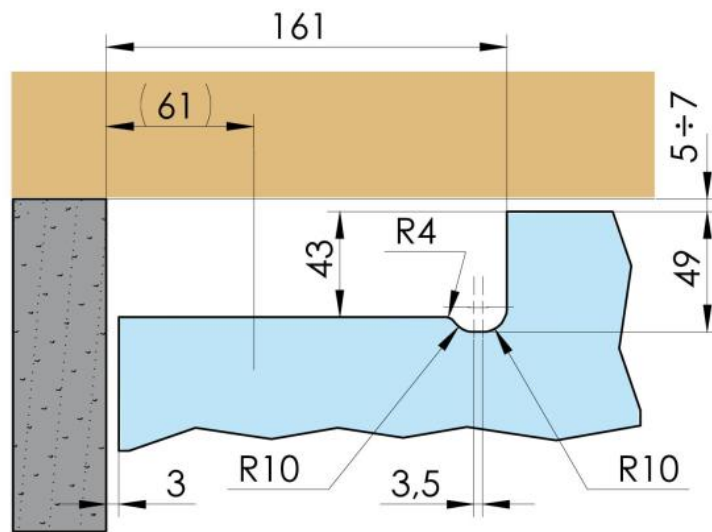
### Hydraulic Hinge VERTO VT 100E20 ceiling mounting

Material: aluminium  
Finish: inox effect  
Mounting: door at the top  
Glass thickness: 8 - 13.52 mm  
Sales unit (SU): St  
Unit package: 1.00  
Shape: square  
Glass processing: Notch  
Carrying capacity: 100 kg/pair

for indoor and outdoor installation, max. door width 1000 mm







Glasbearbeitung für schwenkende Installation  
 Transformation du verre pour application pivotante