

31.80301.24

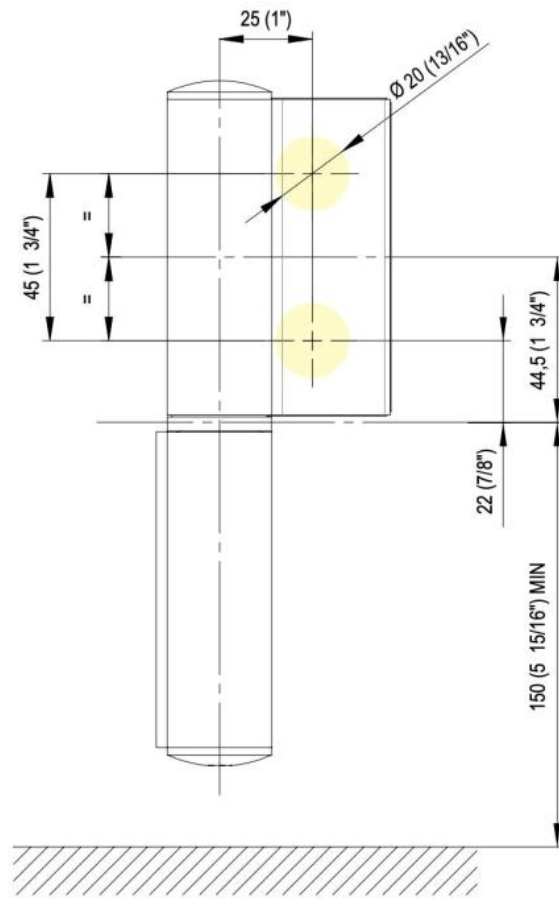
Hydraulic hinge EVO EV 835E10 N with integrated door closer, self-closing from an opening angle of 80°

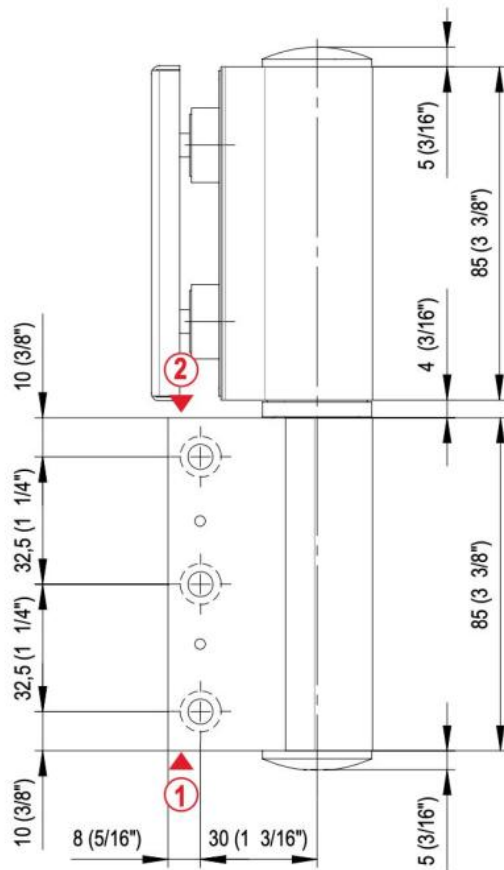
Material: aluminium
Finish: inox effect
Mounting: glass/wall, DIN right
Glass thickness: 8 - 19 / 21.52 mm
Sales unit (SU): St
Unit package: 1.00
Carrying capacity: 120 kg/pair

can be installed on doors with frame profile, rebate depth 30 - 50 mm, with adjustable closing speed, with constant braking control, with 90° and 180° locking, min. door width 800 mm, max. door width 1200 mm, for temperatures from -15°C to + 40°C. The hinge has a pre-tension, therefore a closing stop is required

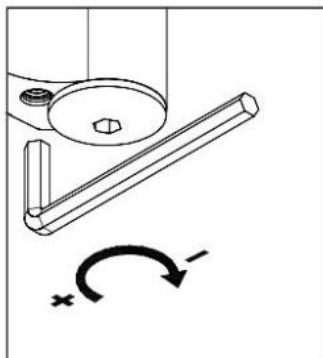






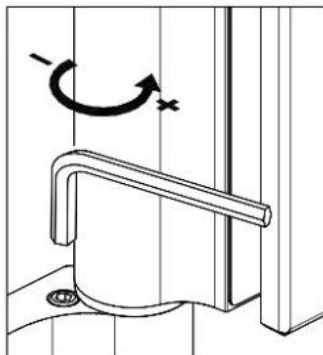


1



Regolazione scatto finale
 Ajuste del resorte final
 Final latch adjustment
 Regulierung der Endschwung
 Réglage de verouillage final

2



Regolazione della
 velocità di chiusura
 Ajuste de la velocidad
 de cierre
 Closing speed adjustment
 Regulierung der
 Schließgeschwindigkeit
 Réglage de la vitesse
 de fermeture

