

## 31.80302.63

Hydraulic hinge EVO EV 835E10 N with integrated door closer, self-closing from an opening angle of 80°

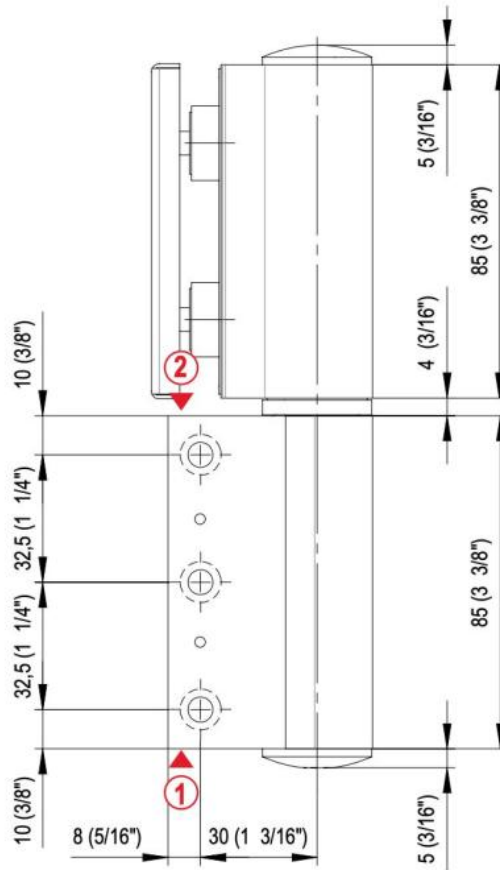
Material: aluminium  
Finish: anodized 20 micron  
Mounting: glass/wall, DIN left  
Glass thickness: 8 - 19 / 21.52 mm  
Sales unit (SU): St  
Unit package: 1.00  
Carrying capacity: 120 kg/pair

can be installed on doors with frame profile, rebate depth 30 - 50 mm, with adjustable closing speed, with constant braking control, with 90° and 180° locking, min. door width 800 mm, max. door width 1200 mm, for temperatures from -15°C to + 40°C. The hinge has a pre-tension, therefore a closing stop is required

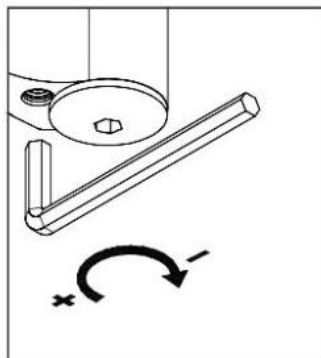






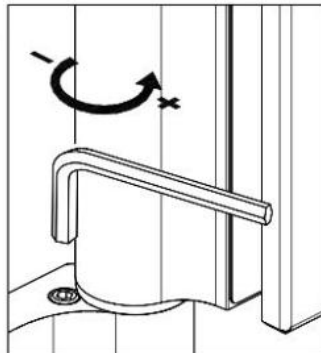


1



Regolazione scatto finale  
 Ajuste del resorte final  
 Final latch adjustment  
 Regulierung der Endschwung  
 Réglage de verouillage final

2



Regolazione della  
 velocità di chiusura  
 Ajuste de la velocidad  
 de cierre  
 Closing speed adjustment  
 Regulierung der  
 Schließgeschwindigkeit  
 Réglage de la vitesse  
 de fermeture

