

31.80308.63

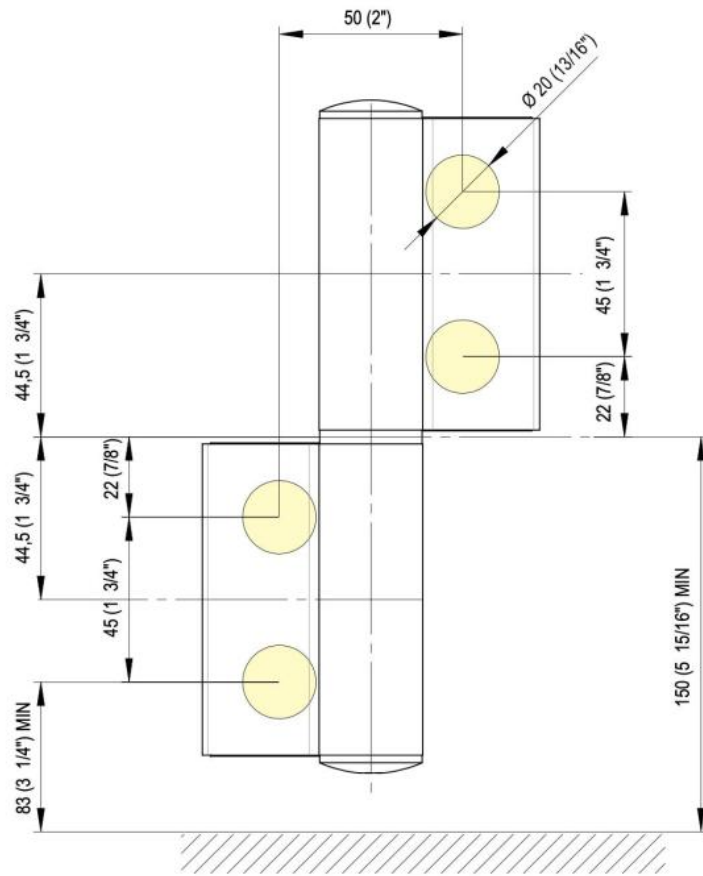
Hydraulic hinge EVO EV 835E51 with integrated door closer, self-closing from an opening angle of 160°

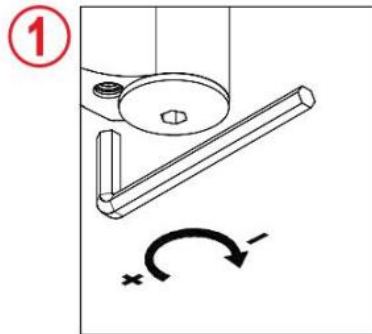
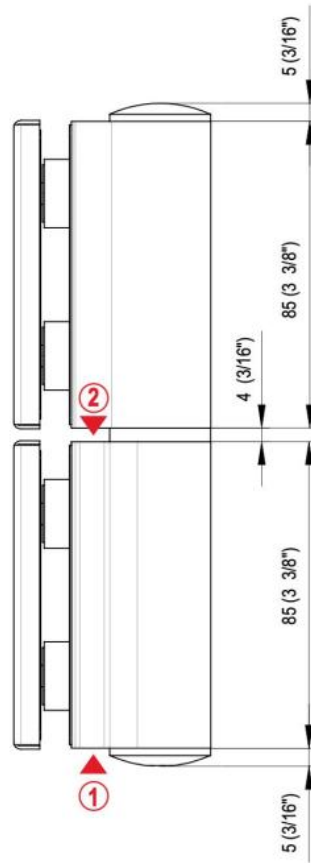
Material: aluminium
Finish: anodized 20 micron
Mounting: glass/glass, DIN left
Glass thickness: 8 - 19 / 21.52 mm
Sales unit (SU): St
Unit package: 2.00
Carrying capacity: 100 kg/pair

with adjustable closing speed, with constant braking control, with 180° locking, min. door width 800 mm, max. door width 1000 mm, for temperatures from -15°C to + 40°C. The hinge has a pre-tension, therefore a closing stop is required

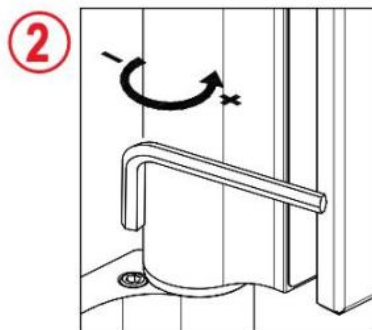








Regolazione scatto finale
 Ajuste del resorte final
 Final latch adjustment
 Regulierung der Endschwung
 Réglage de verouillage final



Regolazione della
 velocità di chiusura
 Ajuste de la velocidad
 de cierre
 Closing speed adjustment
 Regulierung der
 Schließgeschwindigkeit
 Réglage de la vitesse
 de fermeture

