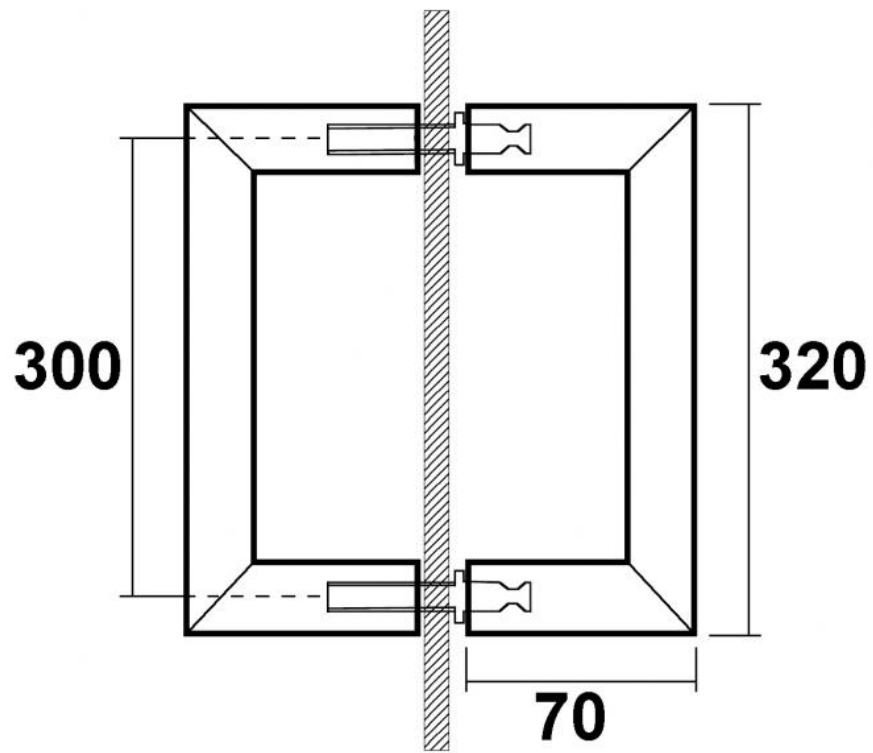


## 57.79320.16

### Pull handle

Material: inox V2A  
Finish: brushed  
Mounting: glass assembly (pair)  
Glass thickness: 8 - 12 mm  
Sales unit (SU): Pr  
Unit package: 1.00  
Shape: round  
Measures: Ø 20 mm, L = 320 mm  
Measure A: 320 mm  
Measure B: 300 mm  
Measure C: 50 mm  
Measure D: 20 mm  
Glass processing: Glass drill hole : Ø14 mm  
Thread: M10





$\text{Ø}14$

