

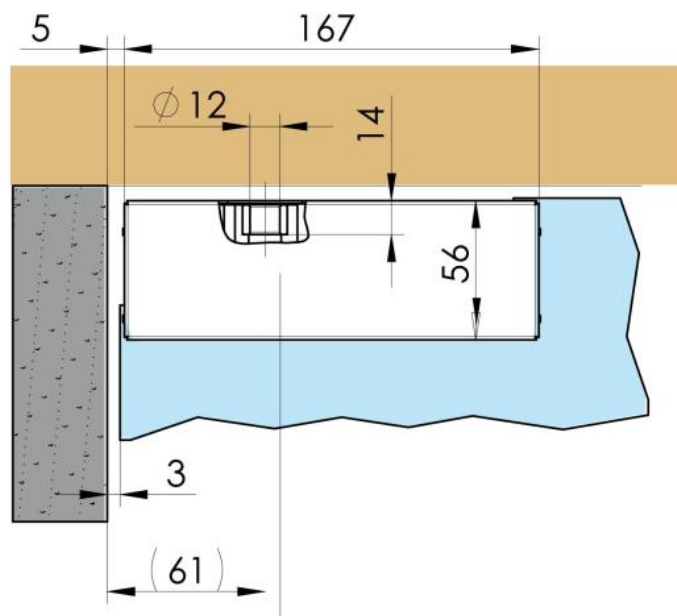
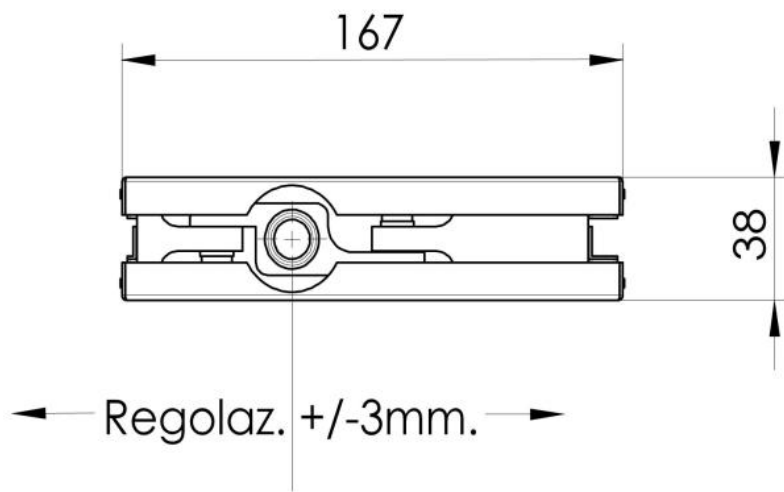
31.80220.27

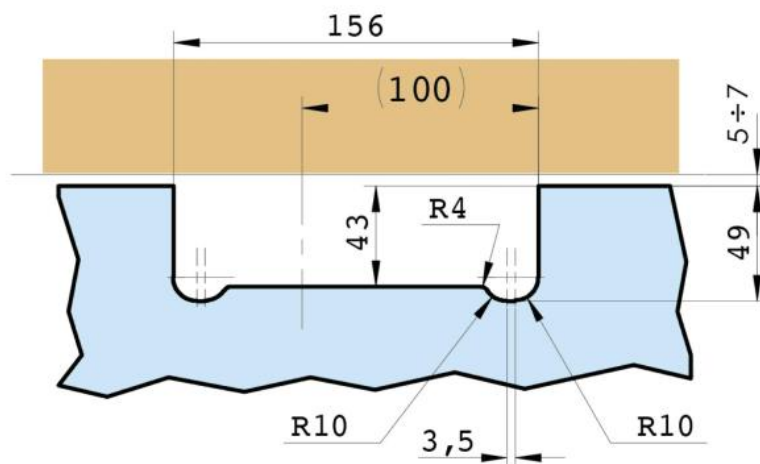
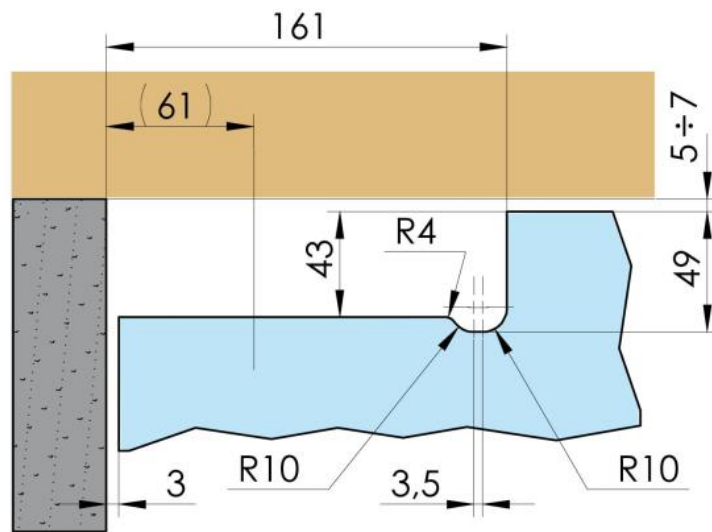
Hydraulic Hinge VERTO VT 100E20 ceiling mounting

Material: aluminium
Finish: black anodized
Mounting: door at the top
Glass thickness: 8 - 13.52 mm
Sales unit (SU): St
Unit package: 1.00
Shape: square
Glass processing: Notch
Carrying capacity: 100 kg/pair

for indoor and outdoor installation, max. door width 1000 mm







Glasbearbeitung für schwenkende Installation
 Transformation du verre pour application pivotante