

## 31.80308.27

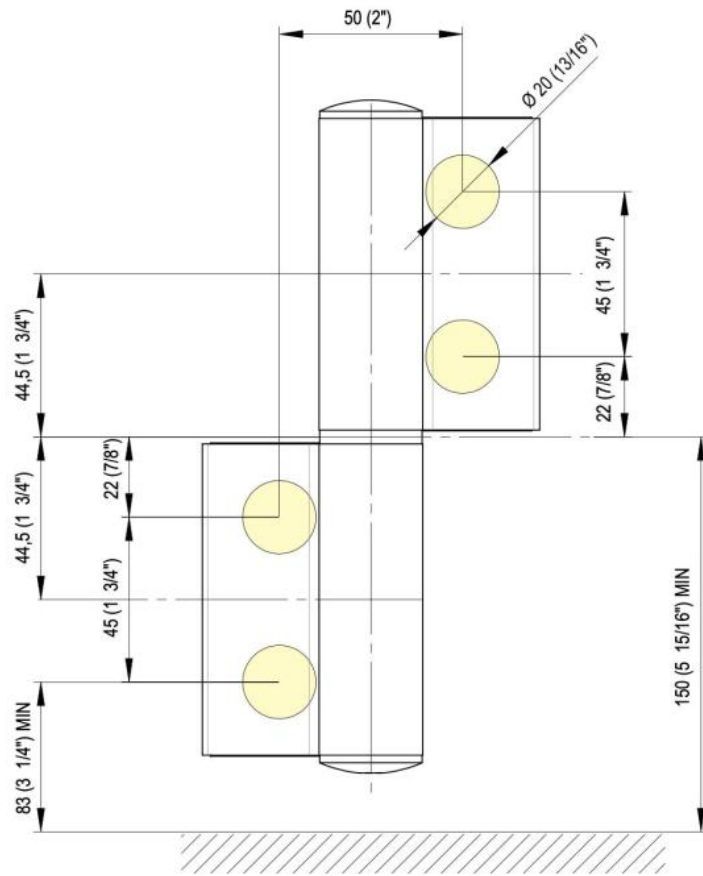
Hydraulic hinge EVO EV 835E51 with integrated door closer, self-closing from an opening angle of 160°

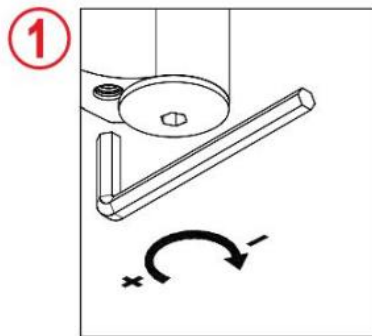
Material: aluminium  
Finish: black anodized  
Mounting: glass/glass, DIN left  
Glass thickness: 8 - 19 / 21.52 mm  
Sales unit (SU): St  
Unit package: 1.00  
Carrying capacity: 100 kg/pair

with adjustable closing speed, with constant braking control, with 180° locking, min. door width 800 mm, max. door width 1000 mm, for temperatures from -15°C to + 40°C. The hinge has a pre-tension, therefore a closing stop is required

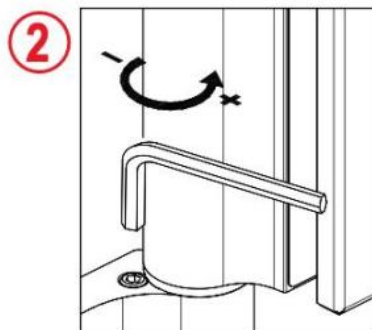








Regolazione scatto finale  
 Ajuste del resorte final  
 Final latch adjustment  
 Regulierung der Endschwung  
 Réglage de verouillage final



Regolazione della  
 velocità di chiusura  
 Ajuste de la velocidad  
 de cierre  
 Closing speed adjustment  
 Regulierung der  
 Schließgeschwindigkeit  
 Réglage de la vitesse  
 de fermeture

