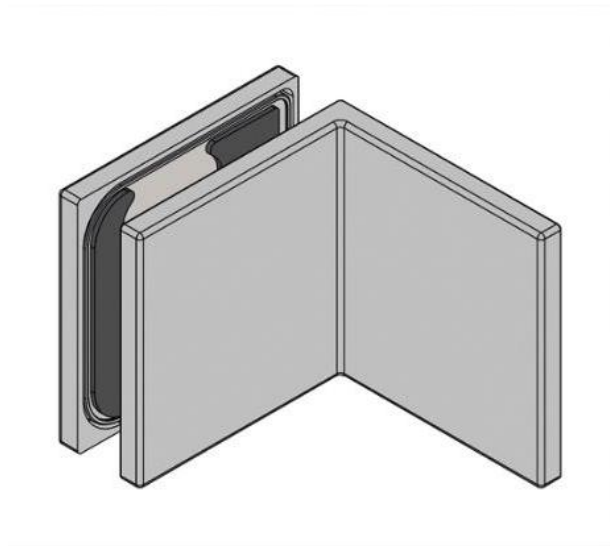


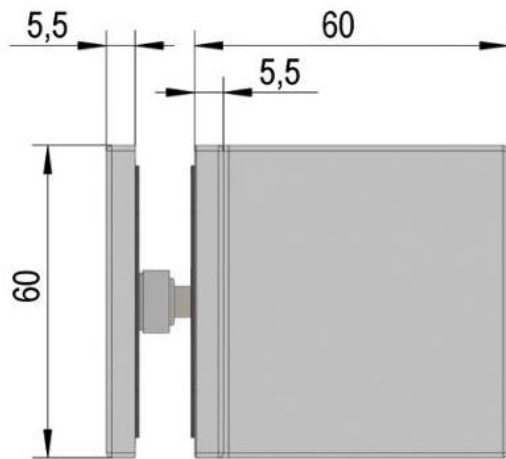
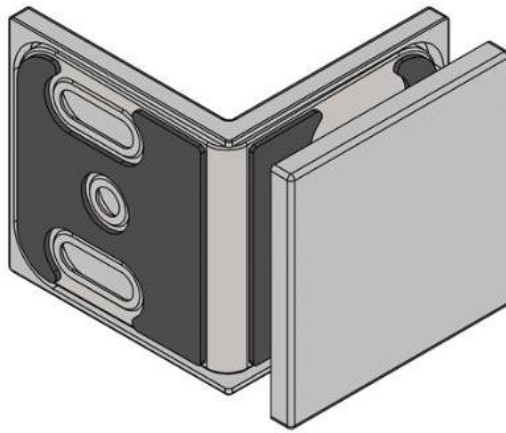
39.00003.01

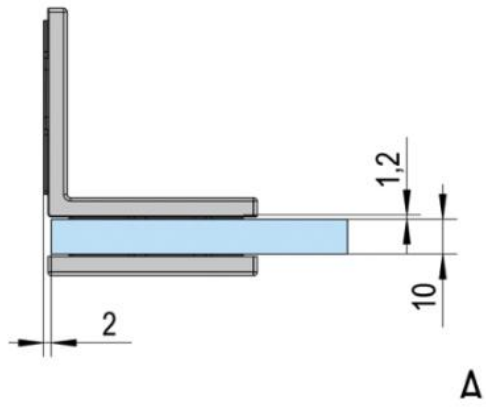
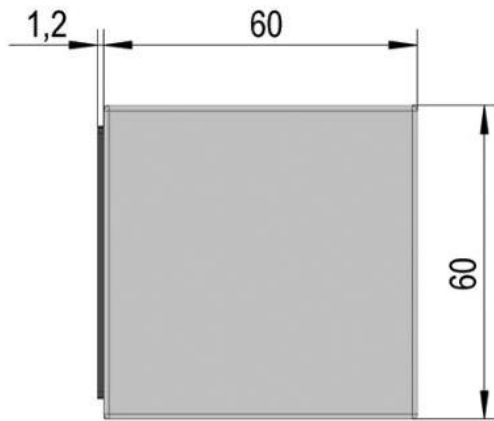
Angle connector Juna with oblong hole plate

Material: brass
Finish: chrome polished
Mounting: glass/wall 90°
Glass thickness: 6 / 8 / 10 mm
Sales unit (SU): St
Unit package: 2.00
Shape: square

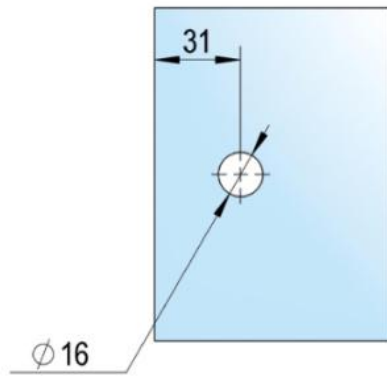




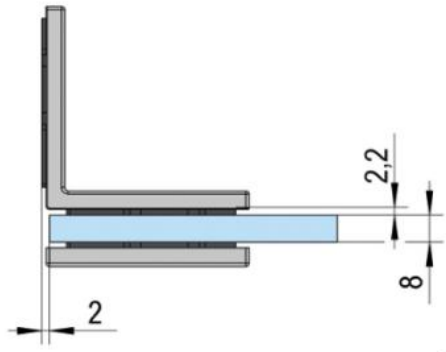




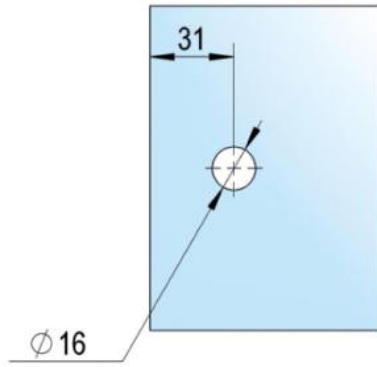
A



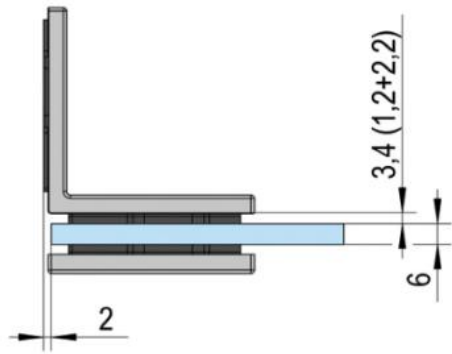
A



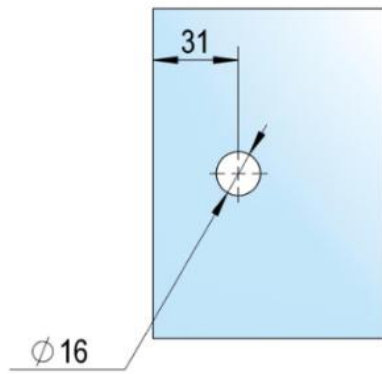
B



B



C



C