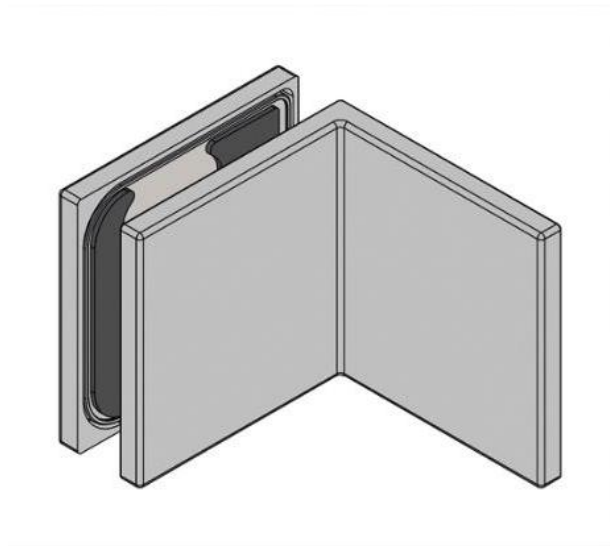


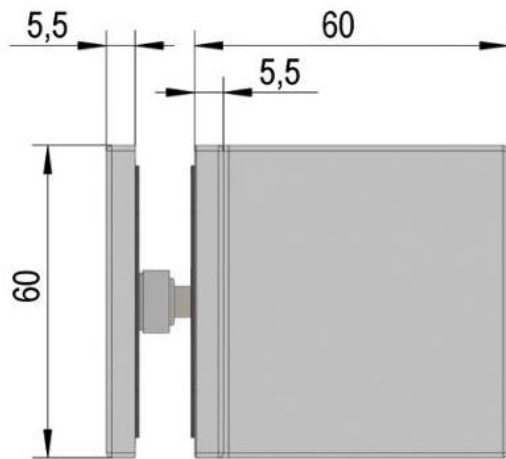
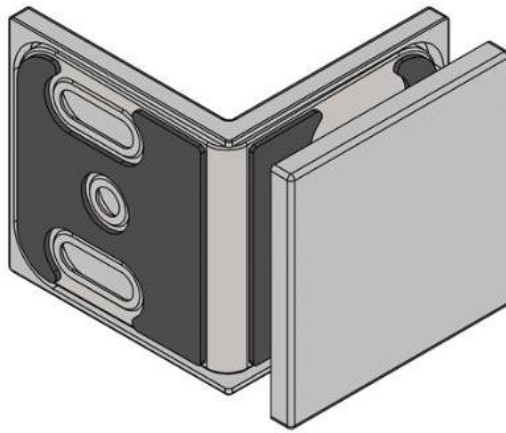
## 39.00003.04

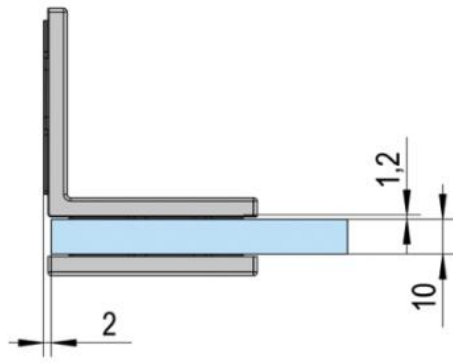
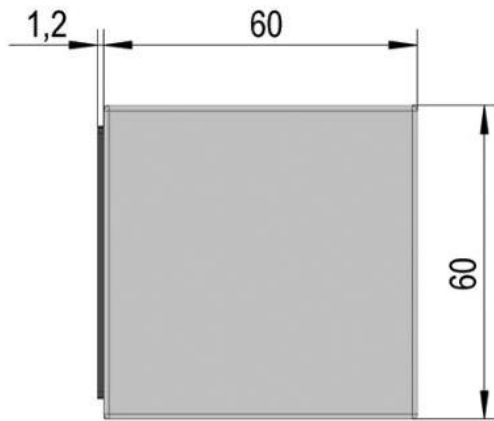
### Angle connector Juna with oblong hole plate

Material: brass  
Finish: inox effect  
Mounting: glass/wall 90°  
Glass thickness: 6 / 8 / 10 mm  
Sales unit (SU): St  
Unit package: 2.00  
Shape: square

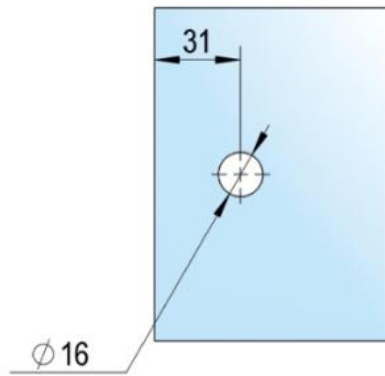




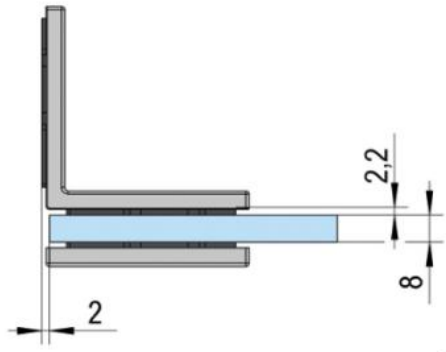




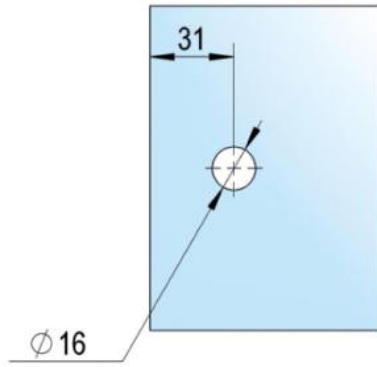
A



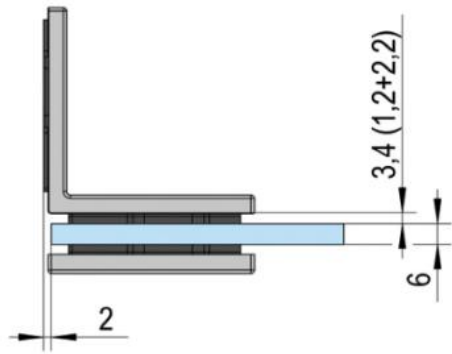
A



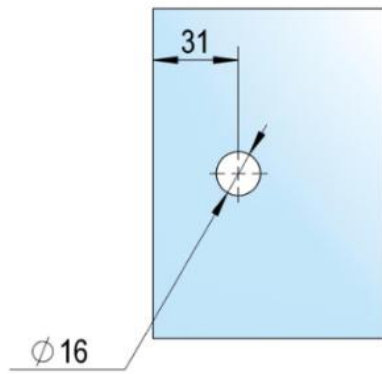
B



B



C



C