

## 8057.3091.071



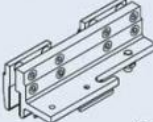
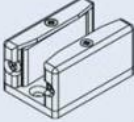

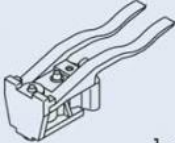


### Fitting set HAWA PORTA 100, mod. GW

Material: several materials  
Finish: natural anodized EV1  
Glass thickness: 8 - 12.76 mm  
Sales unit (SU): St  
Unit package: 1.00  
Carrying capacity: 100 kg/set

für 1 Glastüre bis 100 kg, max. 1600 x 2700 mm





<b>1</b> Türe Door Porte		<b>No. 057.3091.071</b>			
 2x	 2x	 2x	 1x	 12x	
 1x	 1x	 1x	