

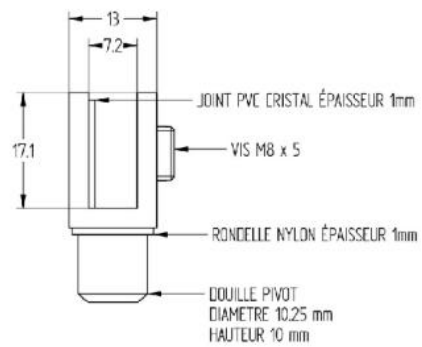
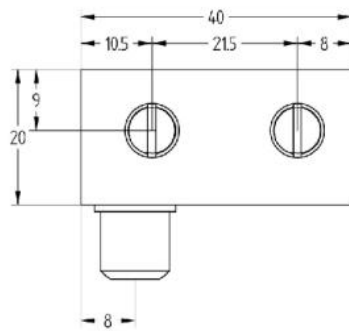
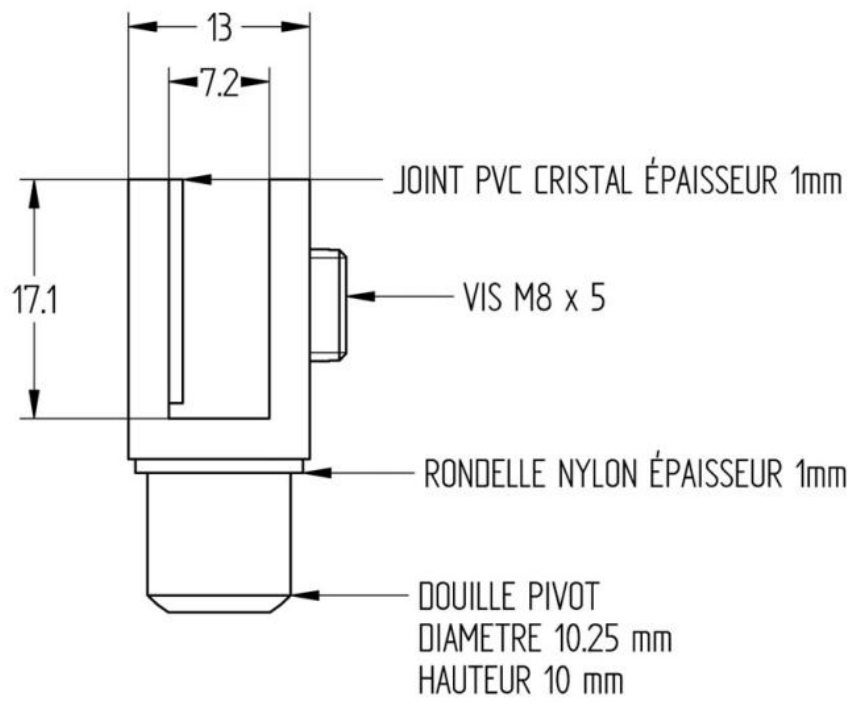
62.18100.03

Drehbares Vitrinenscharnier zum Klemmen

Material:	brass
Finish:	golden polished
Mounting:	glass assembly
Glass thickness:	6 mm
Sales unit (SU):	Pr
Unit package:	1.00
Shape:	square
Measures:	40 x 20 x 13 mm
Measure A:	20 mm
Measure B:	40 mm
Measure C:	13 mm
Measure D:	3 mm
Carrying capacity:	8 kg/pair

mit 2 Befestigungsschrauben, Zapfen und Hülse, 1 Paar = 1 links + 1 rechts





www.fonsegrive.com

