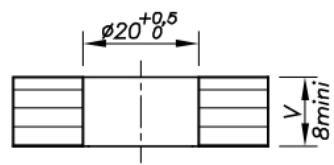
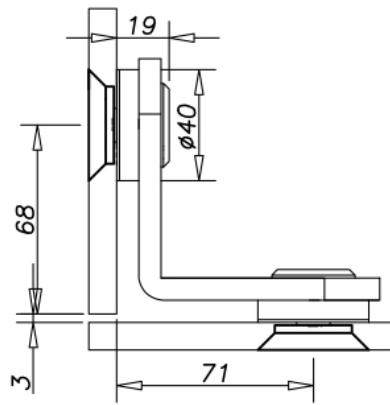


74.29204.16

Flat single-piece glass connector, cylindrical screw

Material: inox V2A
Finish: brushed
Mounting: glass/glass 90°
Glass thickness: 8 - 12 mm
Sales unit (SU): St
Unit package: 1.00
Shape: round
Glass processing: Notch
Carrying capacity: 80 kg/pair





Cylindrique / Cylindrical