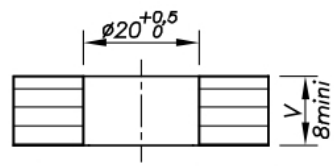
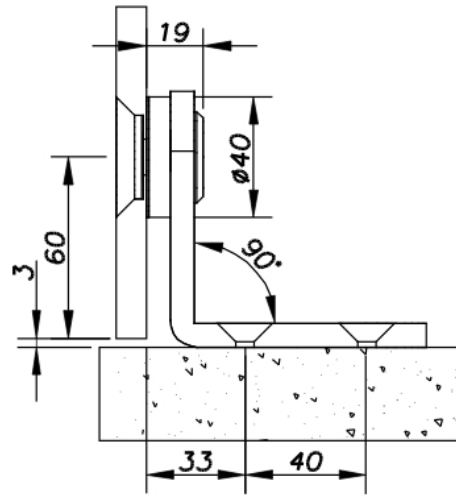


## 74.29214.16

### Flat single-piece glass connector, cylindrical screw

Material: inox V2A  
Finish: brushed  
Mounting: glass/wall 90°  
Glass thickness: 8 - 12 mm  
Sales unit (SU): St  
Unit package: 1.00  
Shape: round  
Glass processing: Notch  
Carrying capacity: 80 kg/pair





Cylindrique / Cylindrical