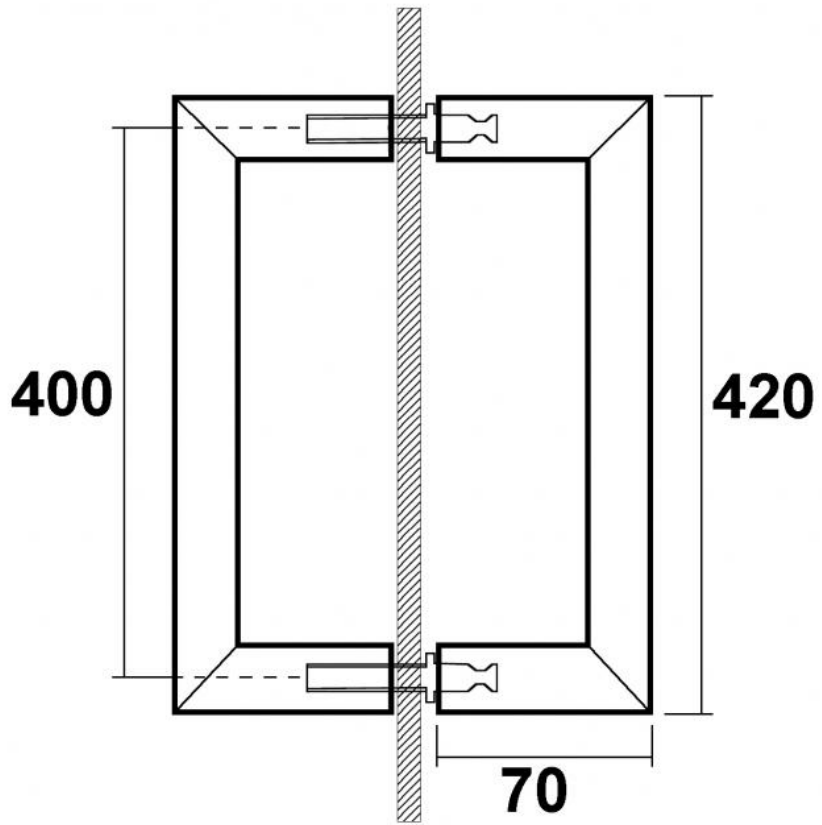


57.79420.16

Pull handle

Material: inox V2A
Finish: brushed
Mounting: glass assembly (pair)
Glass thickness: 8 - 12 mm
Sales unit (SU): Pr
Unit package: 1.00
Shape: round
Measures: Ø 20 mm, L = 420 mm
Measure A: 420 mm
Measure B: 400 mm
Measure C: 50 mm
Measure D: 20 mm
Glass processing: Glass drill hole : Ø14 mm
Thread: M10





$\text{Ø}14$

