

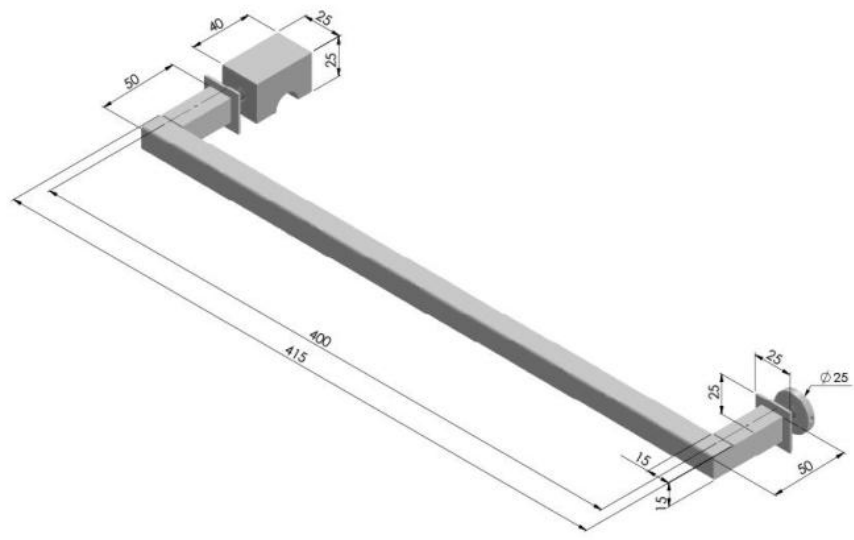
61.16400.11

Handtuchhalter eckig 15 x 15 mm

Material: inox V4A
Finish: polished
Mounting: single glass assembly with knob
Sales unit (SU): St
Unit package: 1.00
Shape: square
Measure A: 415 mm
Measure B: 400 mm
Measure D: 15 mm
Glass processing: Glass drill hole : Ø12 mm

Vollmaterial





$\varnothing 12$

