

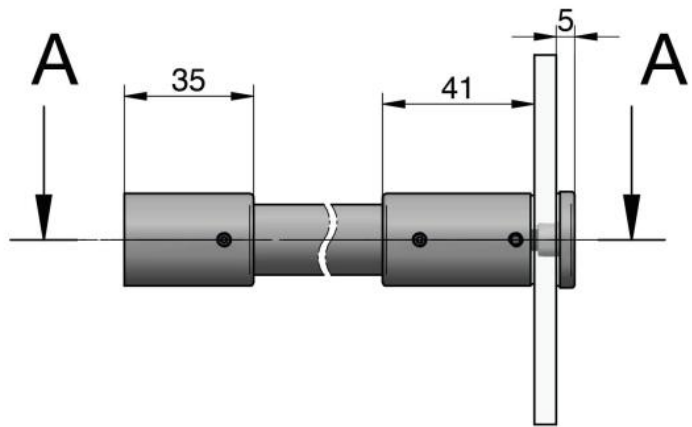
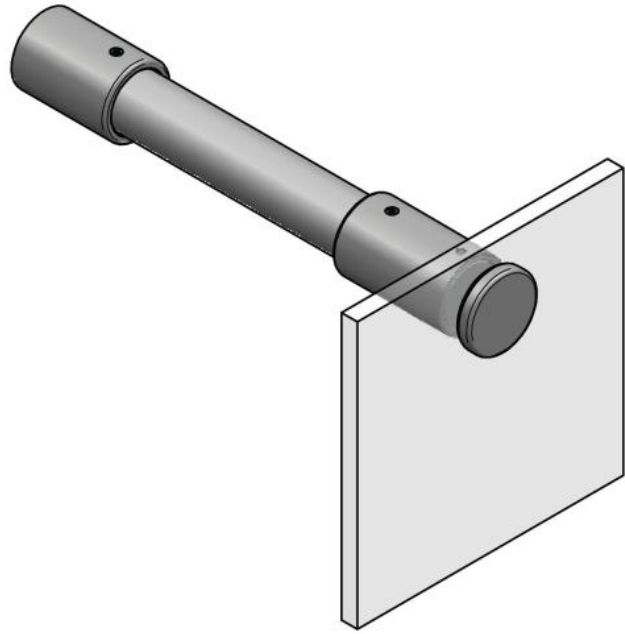
23.04100.01

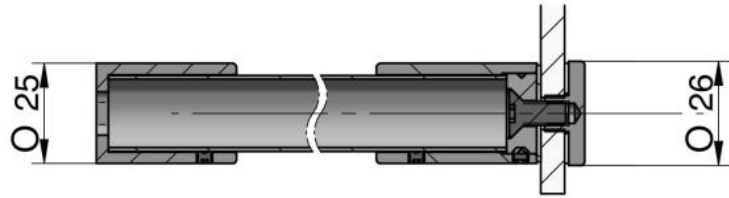
Stabilisation bar, with glass drilling

Material: brass
Finish: chrome polished
Mounting: glass/wall
Glass thickness: 8 - 12 mm
Sales unit (SU): St
Unit package: 1.00
Measures: Ø 19 mm
Bar length (L): 1200 mm
Glass processing: Glass drill hole : Ø14 mm

brass fittings, aluminium tube (length 1200 mm) can be shortened as required, with 1 fixing bracket for wall connection, 1 special connector glass-tube, 1 knurled screw







COUPE A-A

