

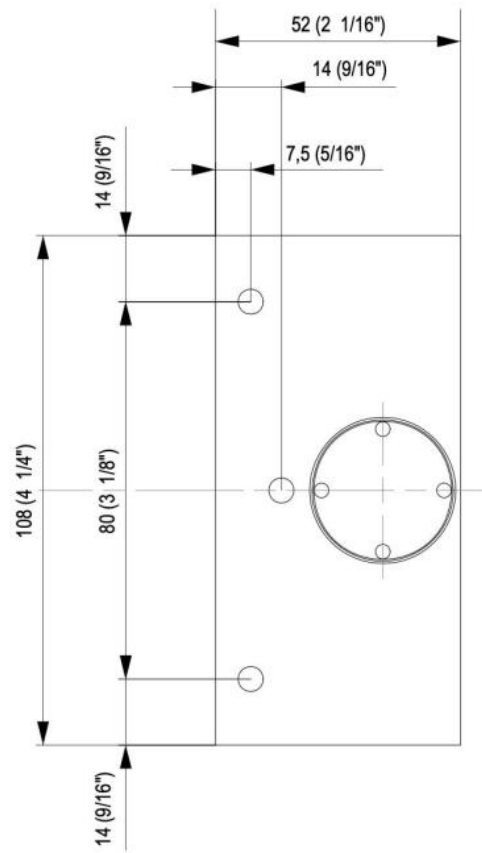
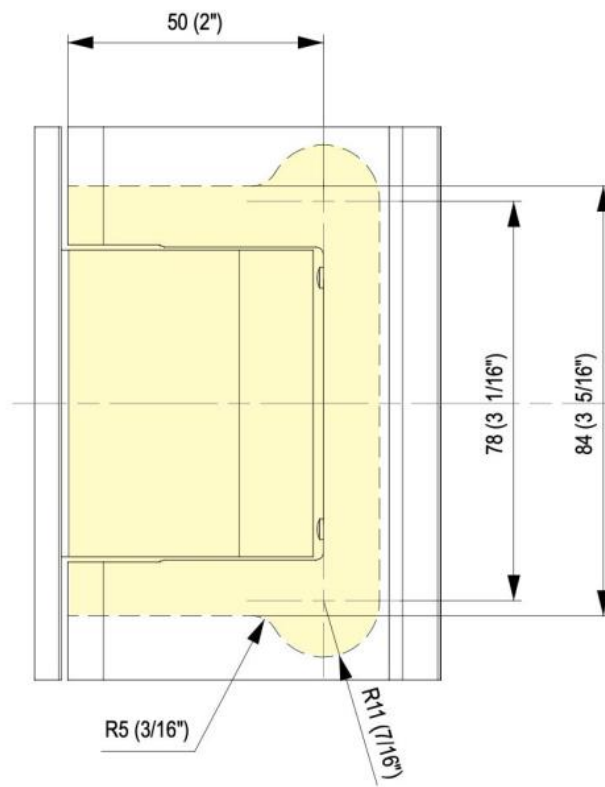
31.80110.21

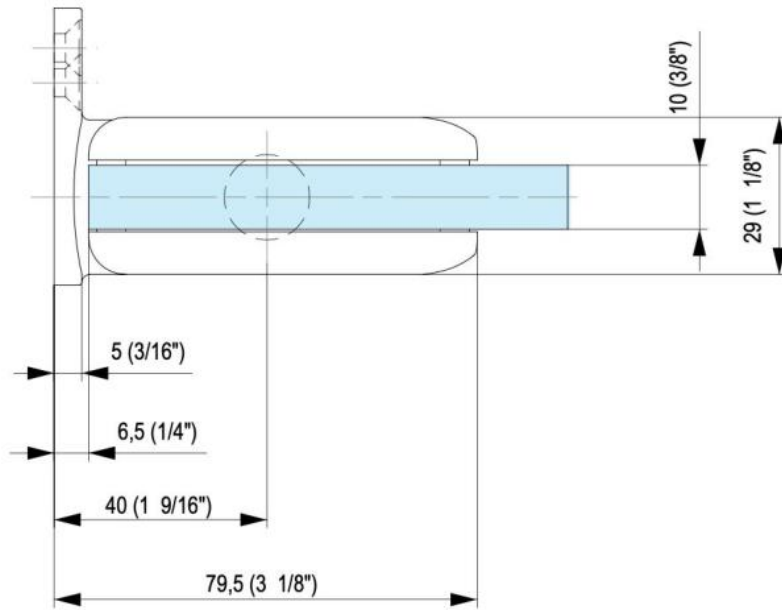
Hydraulic hinge Biloba BL 8011 with lug on one side

Material: aluminium
Finish: chrome effect
Mounting: glass/wall
Glass thickness: 8 - 13.52 mm
Sales unit (SU): St
Unit package: 1.00
Carrying capacity: 100 kg/pair

zero position adjustment, with adjustable closing speed, with locking device 0° / +90° / -90°, automatic closing from +80° and -80°, max. door width 1000 mm, for temperatures from -15°C to + 40°C. Note: Forced opening over 95° could lever out the door, we recommend the installation of a door stopper. For doors less than 500 mm wide, please use the hinge combination BL 8011 and BL 8011 SOL







Valvola di regolazione velocità chiusura anta
Adjustment valve for the door's closing speed

