

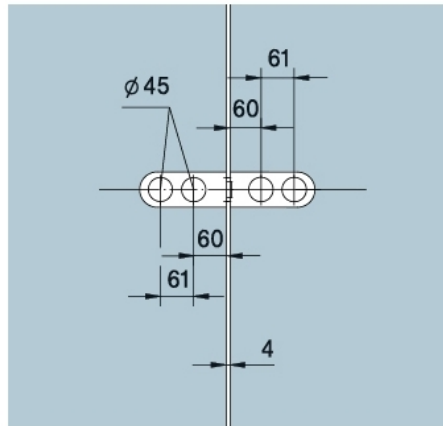
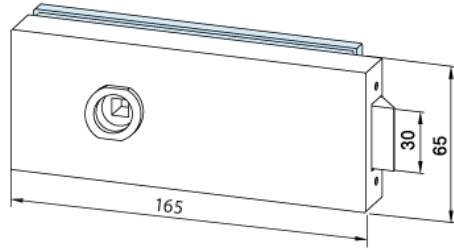
## 29.10001.22

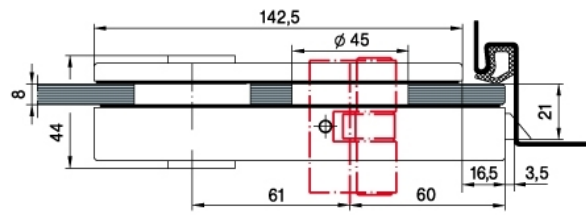
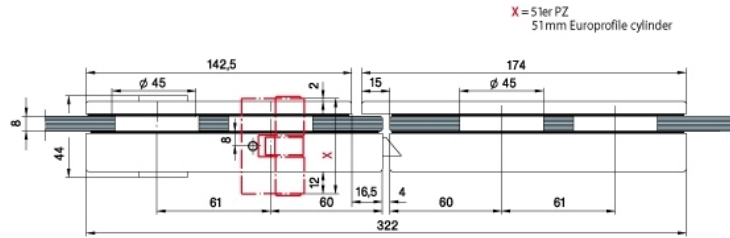
### Schloss Studio Classic, unverschliessbar

Material: aluminium  
Finish: natural anodized EV1  
Mounting: DIN left/right  
Glass thickness: 8 / 10 mm  
Sales unit (SU): St  
Unit package: 1.00  
Shape: square  
Glass processing: Notch

Schloss mit Drückerführung







X = 51er PZ  
51mm Europrofile cylinder