

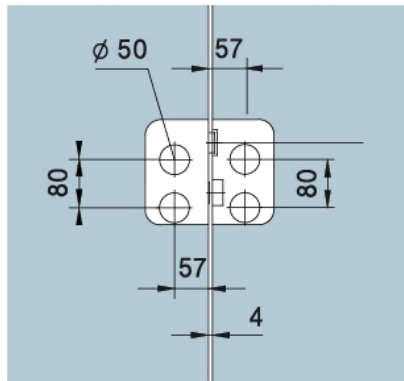
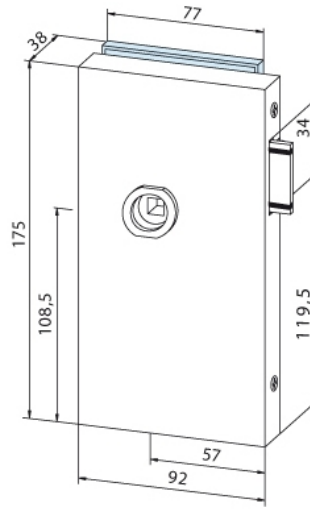
## 29.11284.22

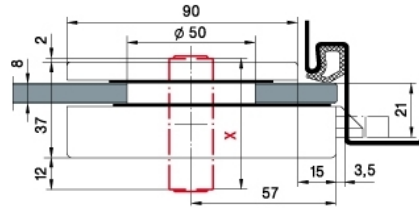
### Junior Office Classic - Schloss, unverschliessbar

Material: aluminium  
Finish: natural anodized EV1  
Mounting: DIN left  
Glass thickness: 8 - 12 mm  
Sales unit (SU): St  
Unit package: 1.00  
Shape: square  
Glass processing: Notch

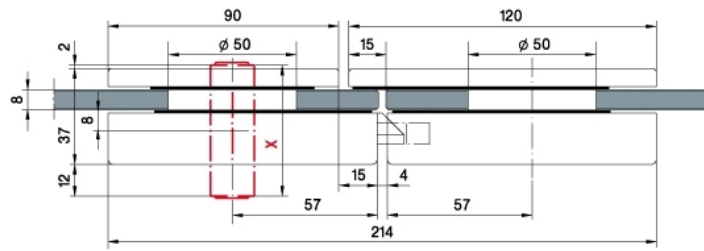
Schloss mit Drückerführung







X = 51er PZ  
51mm Europrofile cylinder



X = 51er PZ  
51mm Europrofile cylinder