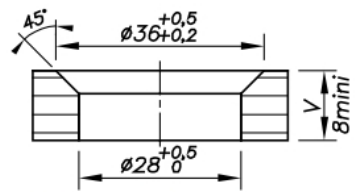
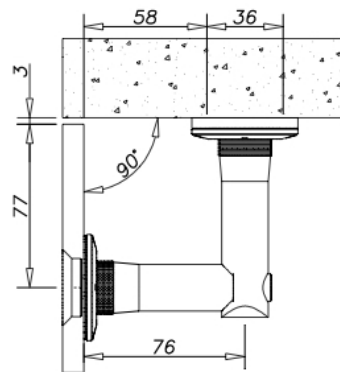


## 74.24282.16

Glass connector 2 parts, fixed, countersunk screw

Material: inox V2A  
Finish: brushed  
Mounting: glass/wall  
Glass thickness: 12.76 - 17.52 mm  
Sales unit (SU): St  
Unit package: 1.00  
Shape: round  
Glass processing: Notch  
Carrying capacity: 100 kg/pair





Fraisée / Coutersunk