

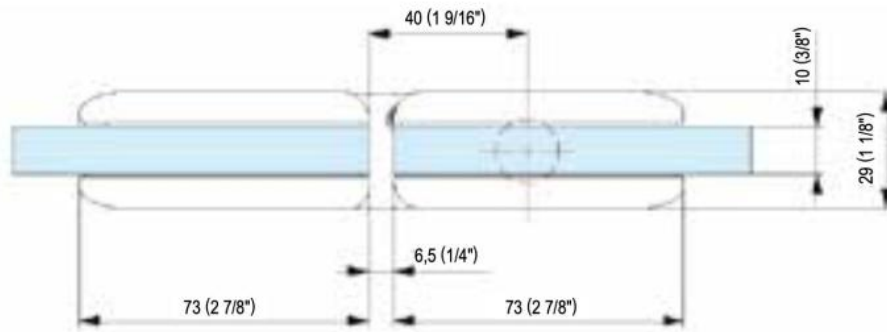
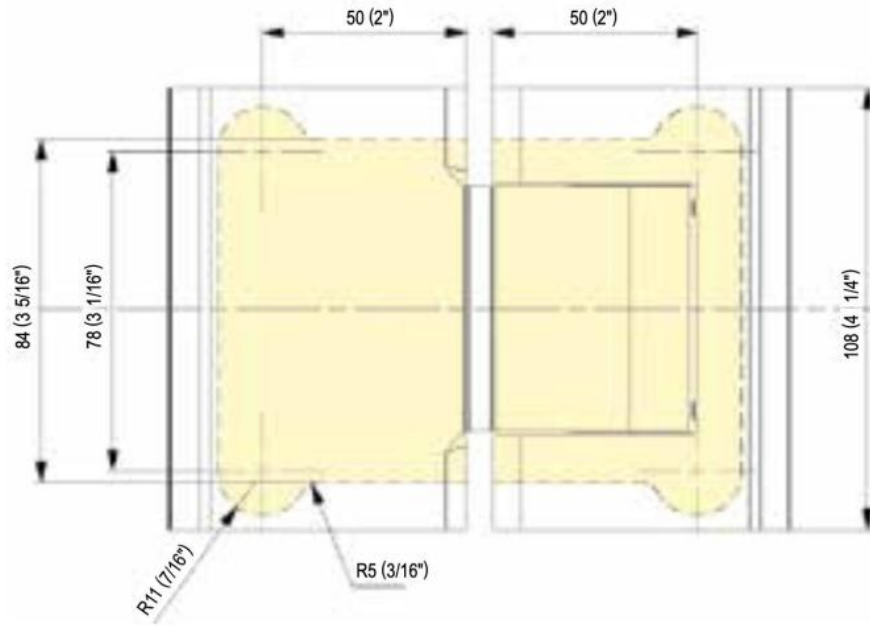
## 31.80152.62

### Hydraulic hinge Biloba without locking BL 8015 SF

Material: aluminium  
Finish: matt velour  
Mounting: glass/glass  
Glass thickness: 8 - 13.52 mm  
Sales unit (SU): St  
Unit package: 1.00  
Carrying capacity: 80 kg/pair

with adjustable closing speed, automatic closing from +80° and -80°, with locking device 0°, no locking device +/-90°, max. door width 1000 mm, for temperatures from -15°C to + 40°C. Note: Forced opening over 95° could lever out the door, we recommend the installation of a door stopper





Einstellschraube für die  
Schließgeschwindigkeit

