

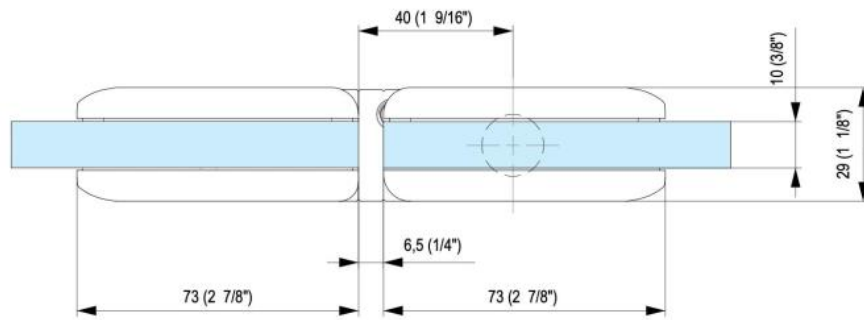
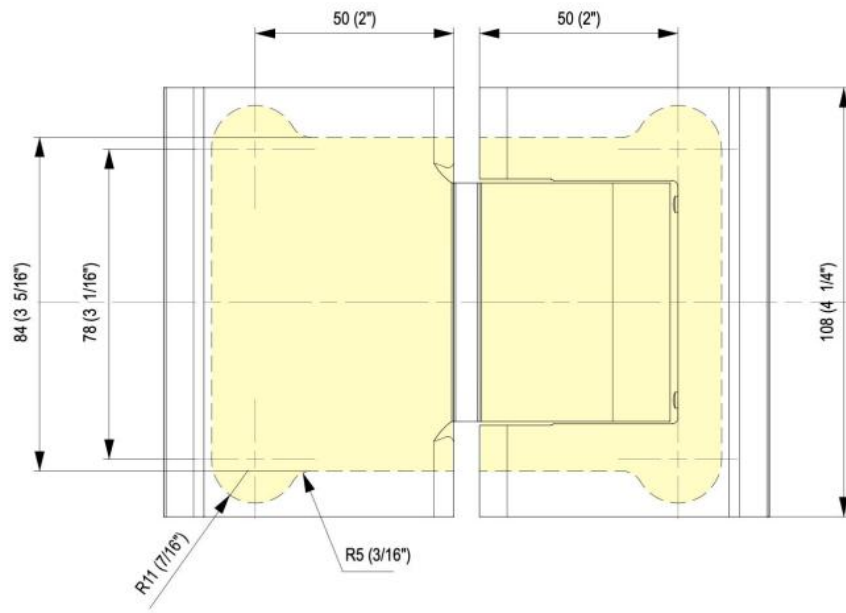
31.80150.27

Hydraulic hinge Biloba BL 8015

Material: aluminium
Finish: black anodized
Mounting: glass/glass
Glass thickness: 8 - 13.52 mm
Sales unit (SU): St
Unit package: 1.00
Carrying capacity: 80 kg/pair

with adjustable closing speed, with locking device 0° / +90° / -90°, automatic closing from +80° and -80°, max. door width 1000 mm, for temperatures from -15°C to + 40°C. Note: Forced opening over 95° could lever out the door, we recommend the installation of a door stopper. For doors less than 500 mm wide, please use the hinge combination BL 8015 and BL 8015 SOL





Valvola di regolazione
velocità chiusura anta
Adjustment valve for the
door's closing speed

