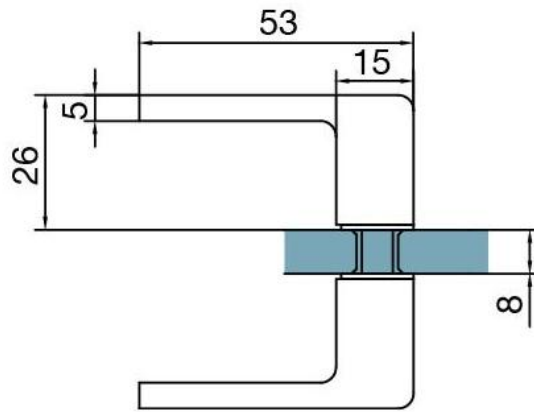
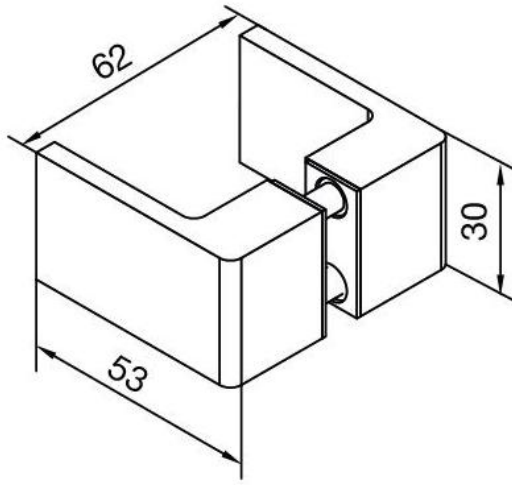


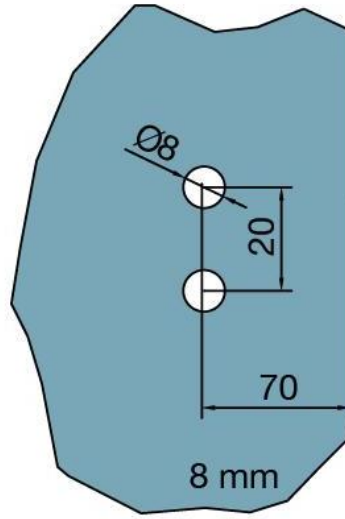
29.70187.34

Shower door knob BF 112 / BH 112

Material: zinc die cast
Finish: inox effect
Mounting: glass assembly (pair)
Glass thickness: 8 mm
Sales unit (SU): St
Unit package: 1.00
Carrying capacity: 45 kg/pair







Tür I porte