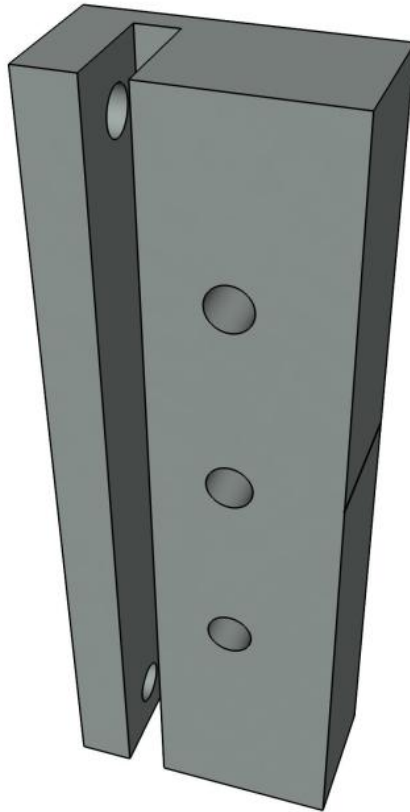


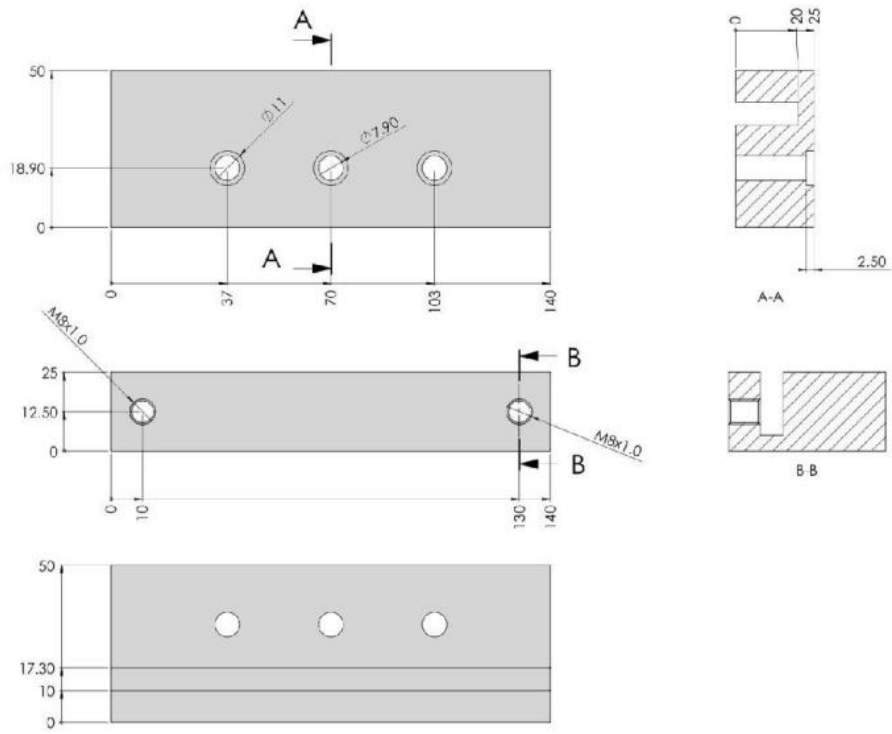
02.46000.40

AUGUSTA template for drilling holes in the frame profile

Material: plastic
Finish: raw
Sales unit (SU): St
Unit package: 1.00
Shape: square
Measures: 140 x 50 x 25 mm

is used to correctly set the holes for the AUGUSTA glass door hinges 60.20341 in the AUGUSTA frame profile.





11/2024