

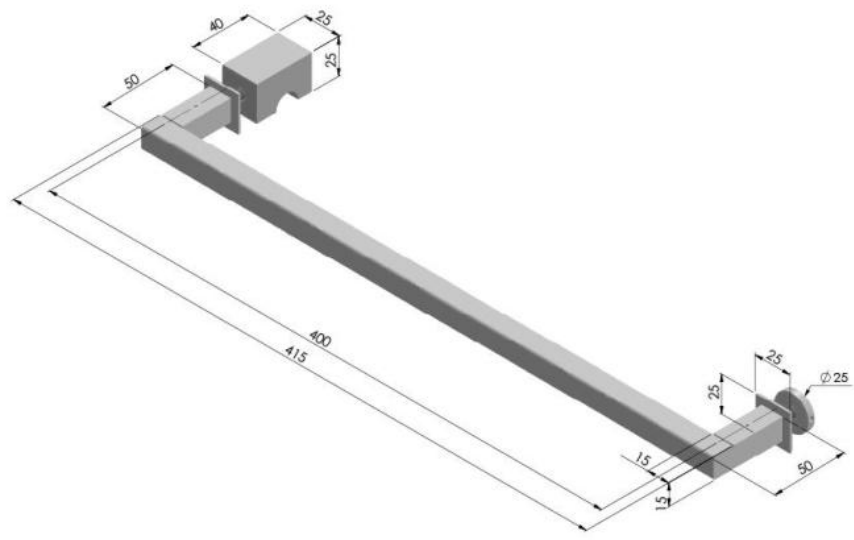
## 61.16400.56

### Handtuchhalter eckig 15 x 15 mm

Material: inox V2A  
Finish: polished brass effect PVD  
Mounting: single glass assembly with knob  
Sales unit (SU): St  
Unit package: 1.00  
Shape: square  
Measure A: 415 mm  
Measure B: 400 mm  
Measure D: 15 mm  
Glass processing: Glass drill hole : Ø12 mm

Vollmaterial





**Ø12**

