

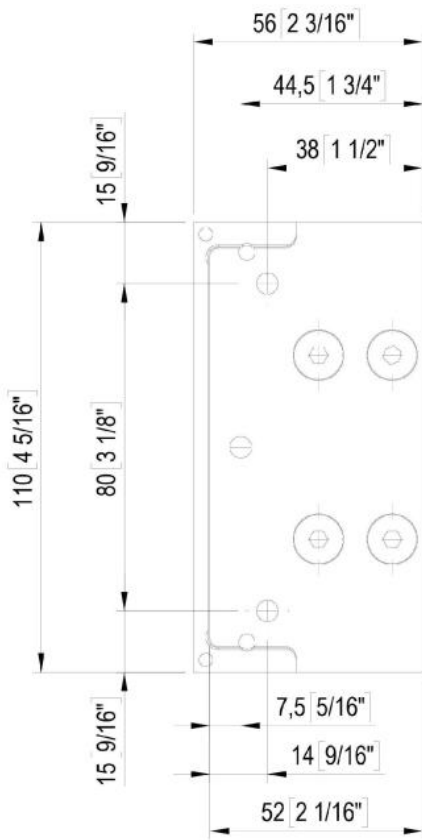
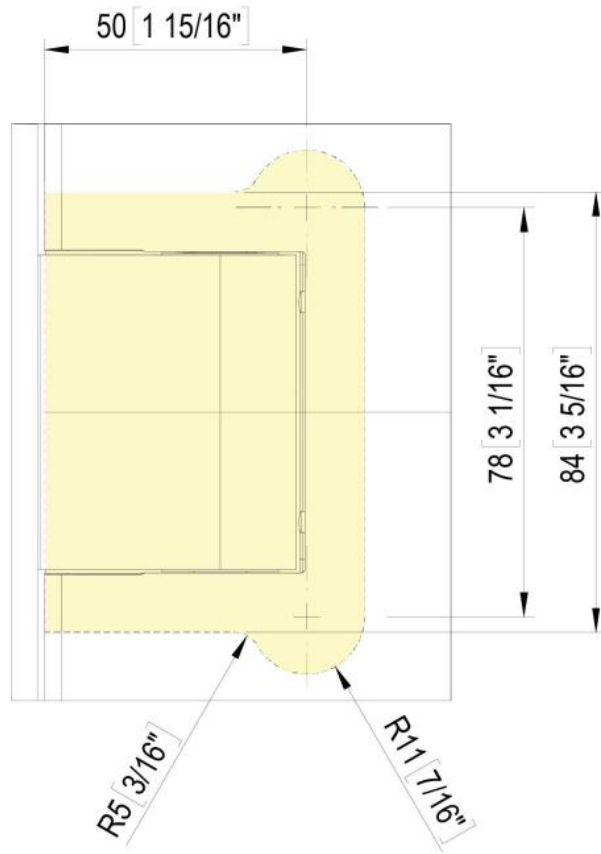
## 31.89110.27

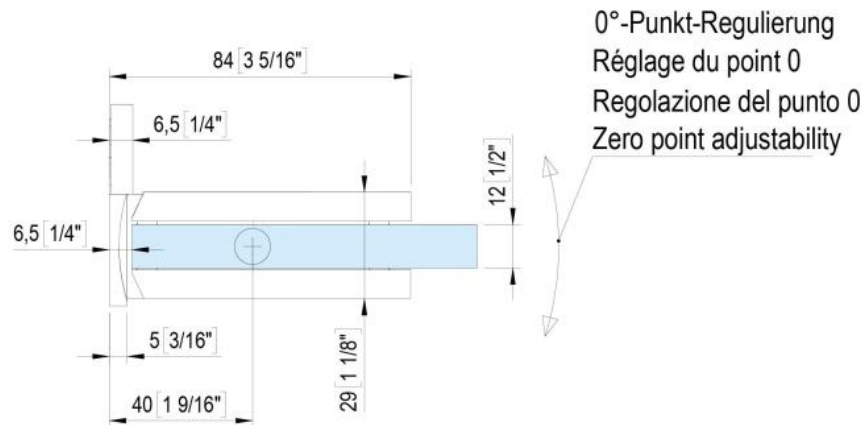
### Hydraulic hinge Biloba BL 8911 with single-sided lug

Material: aluminium  
Finish: BlackLine RAL 9005 matt  
Mounting: glass/wall  
Glass thickness: 8 - 13.52 mm  
Sales unit (SU): St  
Unit package: 1.00  
Shape: square  
Carrying capacity: 100 kg/pair

infinitely adjustable in the zero position, concealed screw connection, with adjustable closing speed, with 0° / +90° / -90° detent, max. door width 1000 mm, automatic closing from +80° and -80°, for temperatures from -15°C to +40°C. Note: Forced opening above 95° could lever the door open, we recommend installing a door stopper







Einstellung Schliessgeschwindigkeit  
 Réglage de la vitesse de fermeture  
 Valvola di regolazione velocità chiusura anta  
 Adjustment valve for the door's closing speed

