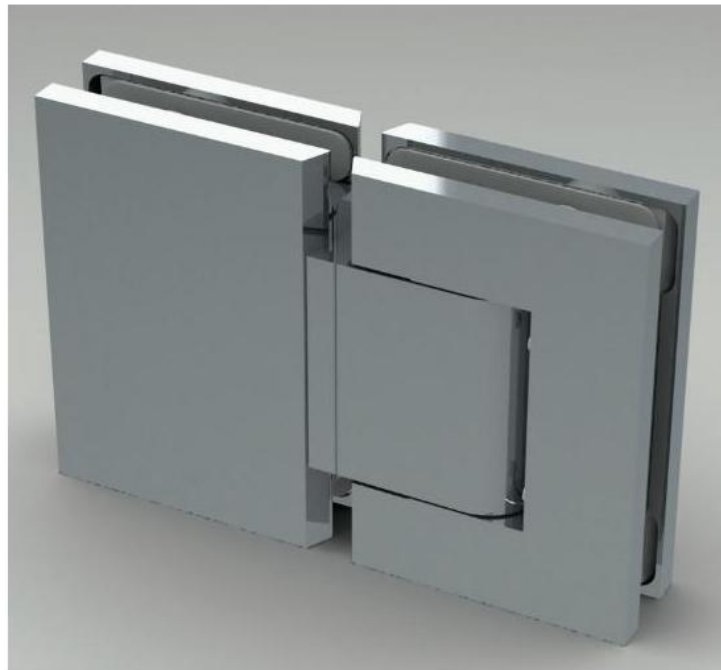


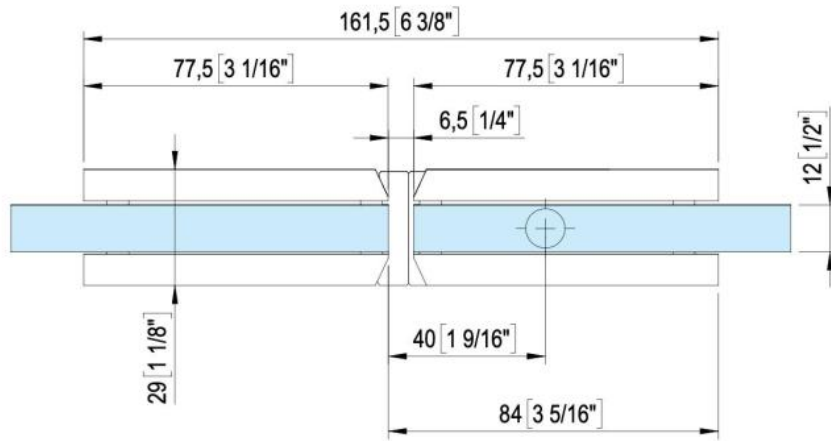
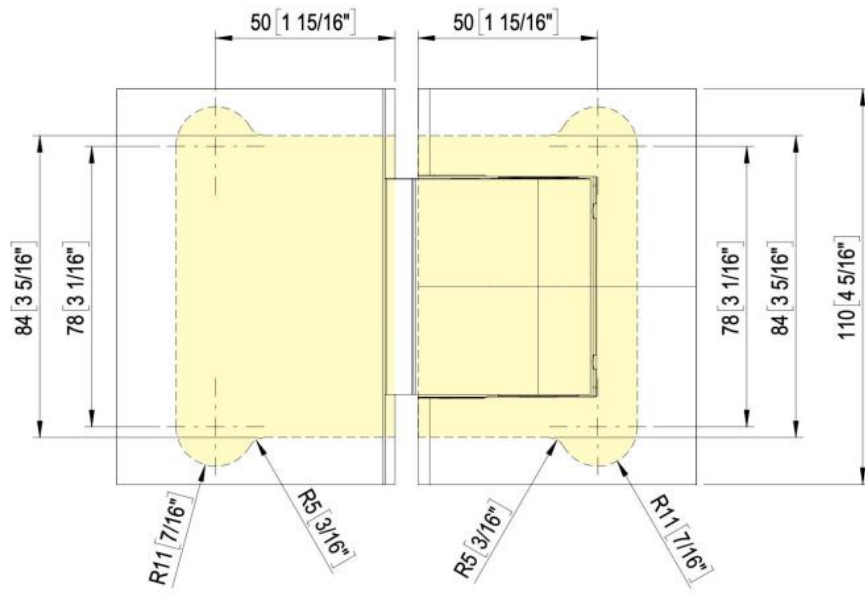
## 31.89150.24

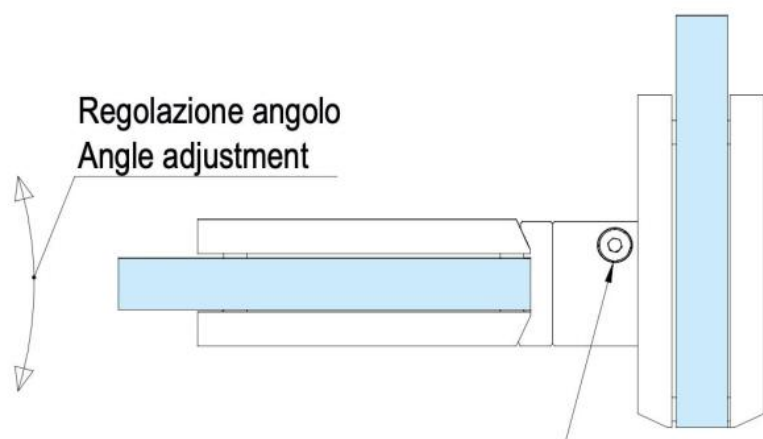
### Hydraulic hinge Biloba BL 8915 with single-sided lug

Material: aluminium  
Finish: inox effect  
Mounting: glass/glass 180°  
Glass thickness: 8 - 13.52 mm  
Sales unit (SU): St  
Unit package: 1.00  
Shape: square  
Carrying capacity: 80 kg/pair

infinitely adjustable in the zero position, concealed screw connection, with adjustable closing speed, with 0° / +90° / -90° detent, max. door width 1000 mm, automatic closing from +80° and -80°, for temperatures from -15°C to +40°C. Note: Forced opening above 95° could lever the door open, we recommend installing a door stopper







Regolazione angolo  
Angle adjustment

Valvola di regolazione velocità chiusura anta  
Adjustment valve for the door's closing speed