

## 18.70026.16

Portavant, Aquant, Atrivant, knob for sliding door

Material: inox V2A

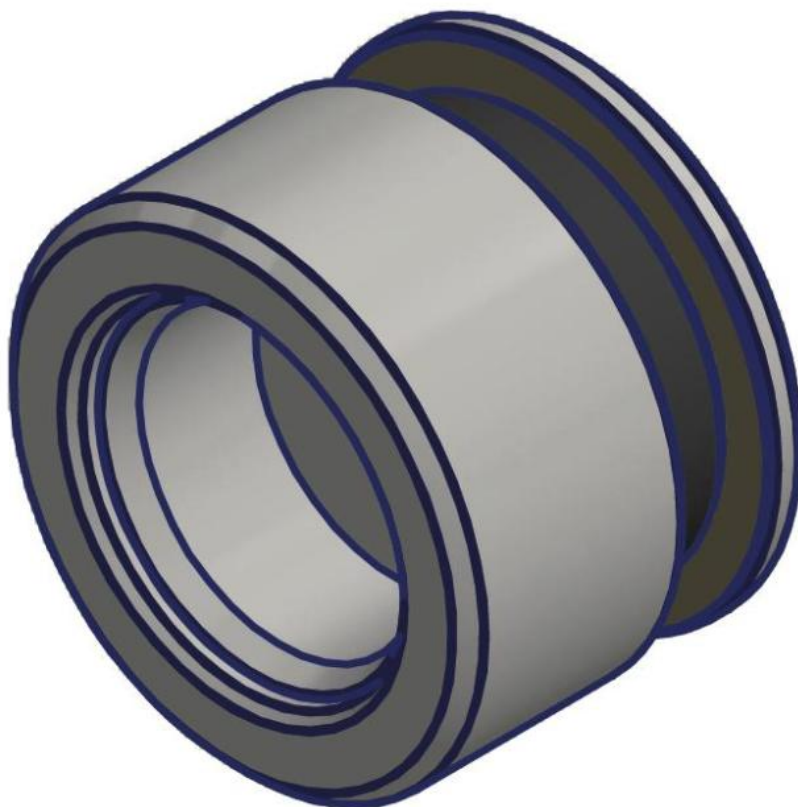
Finish: brushed

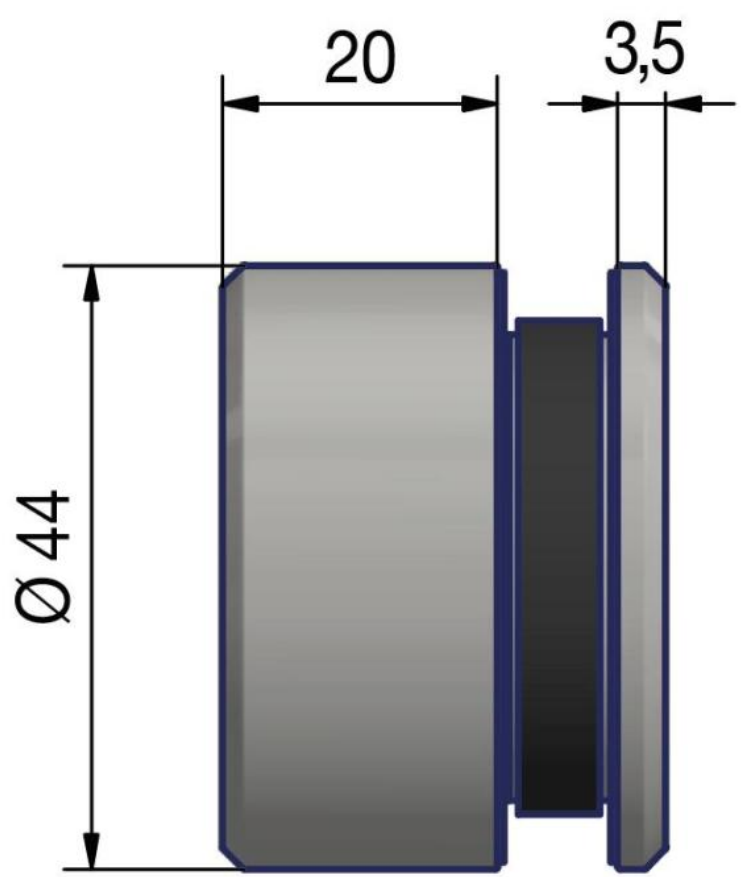
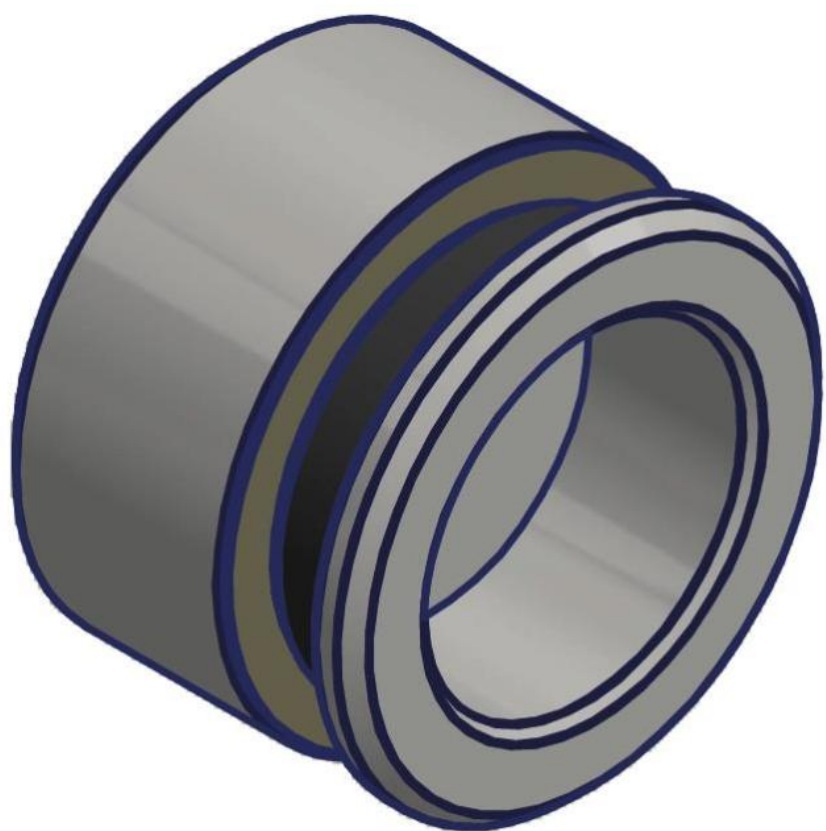
Glass thickness: 8 - 12.76 mm

Sales unit (SU): Pr

Unit package: 1.00

Glass processing: Glass drill hole : Ø37 mm





Ø 37 mm Glasbohrung /  
perçage du verre

