

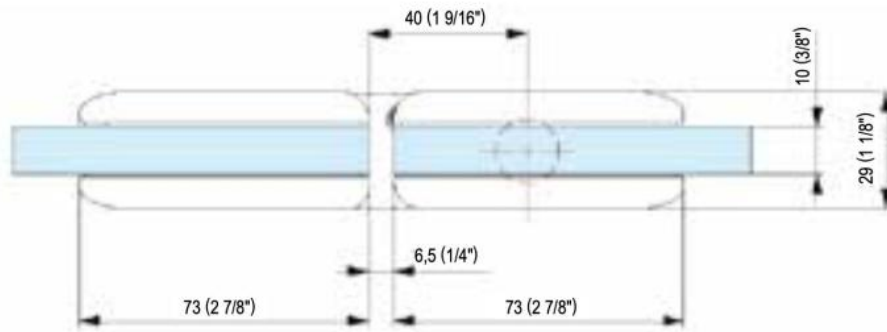
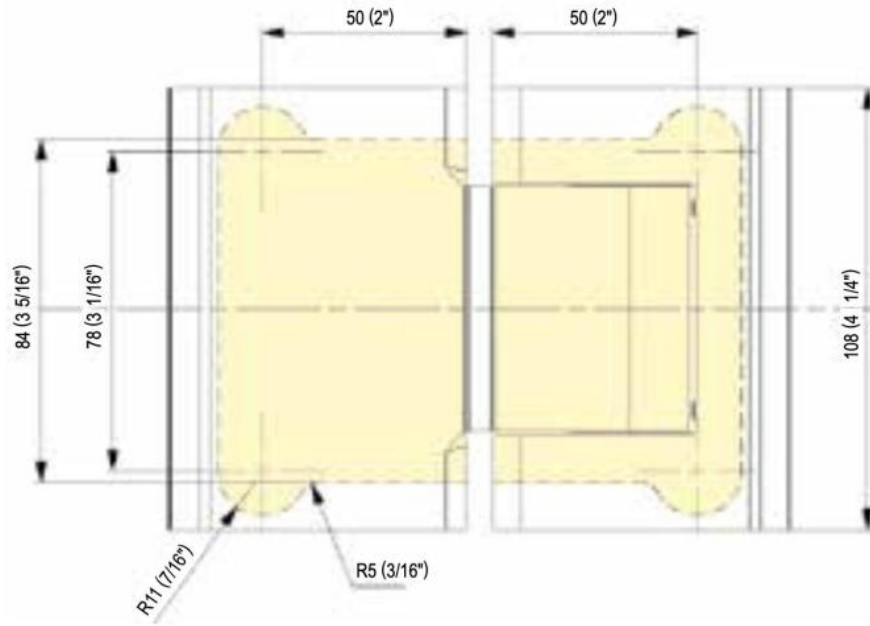
31.80152.27

Hydraulic hinge Biloba without locking BL 8015 SF

Material: aluminium
Finish: black anodized
Mounting: glass/glass
Glass thickness: 8 - 13.52 mm
Sales unit (SU): St
Unit package: 1.00
Carrying capacity: 80 kg/pair

with adjustable closing speed, automatic closing from +80° and -80°, with locking device 0°, no locking device +/-90°, max. door width 1000 mm, for temperatures from -15°C to + 40°C. Note: Forced opening over 95° could lever out the door, we recommend the installation of a door stopper





Einstellschraube für die
Schließgeschwindigkeit

