

8057.3091.071



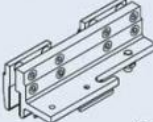
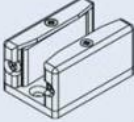

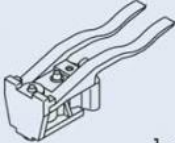


Fitting set HAWA PORTA 100, mod. GW

Material: several materials
Finish: natural anodized EV1
Glass thickness: 8 - 12.76 mm
Sales unit (SU): St
Unit package: 1.00
Carrying capacity: 100 kg/set

für 1 Glastüre bis 100 kg, max. 1600 x 2700 mm





1 Türe Door Porte		No. 057.3091.071			
 2x	 2x	 2x	 1x	 12x	
 1x	 1x	 1x	