

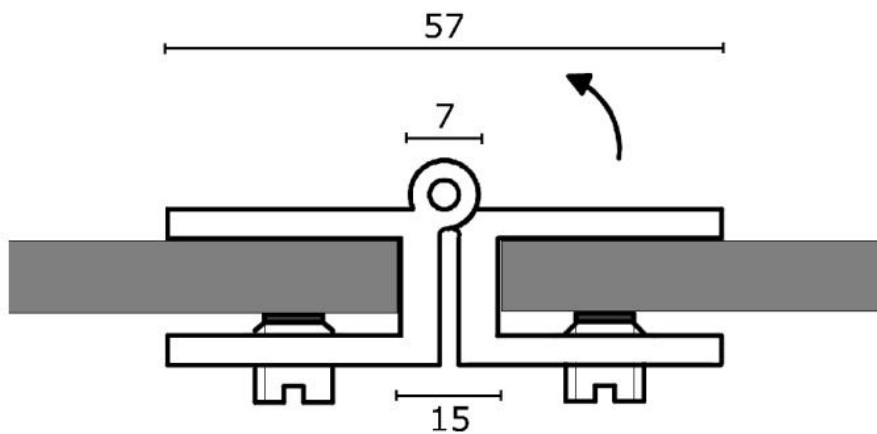
62.16710.01

Vitrinenscharnier

Material: brass
Finish: chrome polished
Mounting: glass/glass
Glass thickness: 6 - 8 mm
Sales unit (SU): St
Unit package: 4.00
Shape: square
Carrying capacity: 10 kg/pair

mit 2 Befestigungsschrauben pro Glas





Höhe / hauteur: 25