

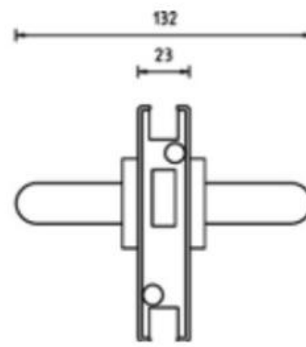
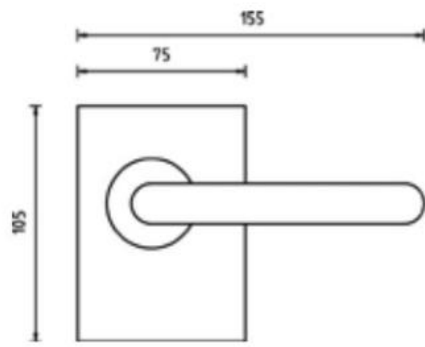
## 17.21372.16

### Drehtürschloss GS mit beidseitigem Drücker

Material: inox V2A  
Finish: brushed  
Mounting: DIN right  
Glass thickness: 8 / 10 mm  
Sales unit (SU): St  
Unit package: 1.00  
Shape: square  
Glass processing: Notch

ohne Zylinder





Glass cut-out

