

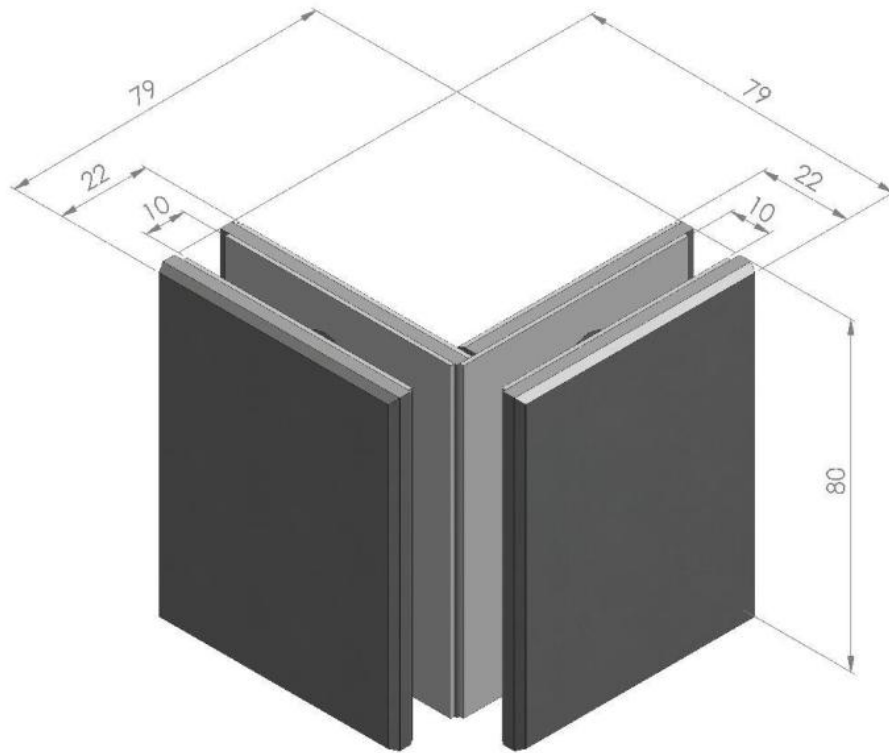
## 60.30260.16

### Winkelverbinder Synera

Material: inox V2A  
Finish: brushed  
Mounting: glass/glass 90°  
Glass thickness: 8 - 10 mm  
Sales unit (SU): St  
Unit package: 1.00  
Shape: square  
Glass processing: Notch  
Carrying capacity: 45 kg/pair

auch für Aussenanwendung geeignet





### Glass cut-out

Glass thickness	A	B
10 mm	43	33
8 mm	42	34

