

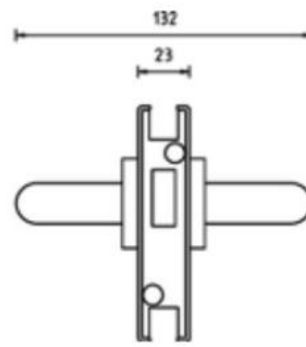
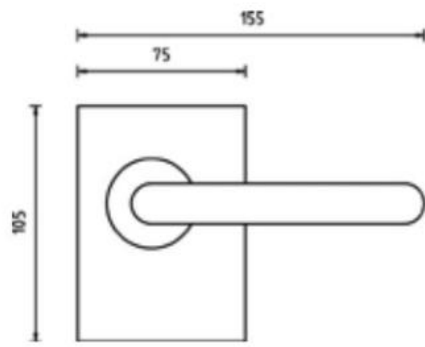
17.21372.17

Drehtürschloss GS mit beidseitigem Drücker

Material: inox V2A
Finish: polished
Mounting: DIN right
Glass thickness: 8 / 10 mm
Sales unit (SU): St
Unit package: 1.00
Shape: square
Glass processing: Notch

ohne Zylinder





Glass cut-out

