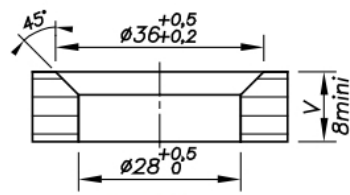
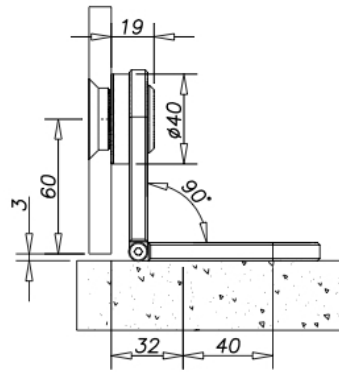


74.26211.16

Glass connector 2 flat parts wall/glass, ajustable 90° to 180°, countersunk screw

Material: inox V2A
Finish: brushed
Mounting: glass/wall
Glass thickness: 8 - 12 mm
Sales unit (SU): St
Unit package: 1.00
Shape: round
Glass processing: Notch
Carrying capacity: 50 kg/pair





Fraisée / Coutersunk