

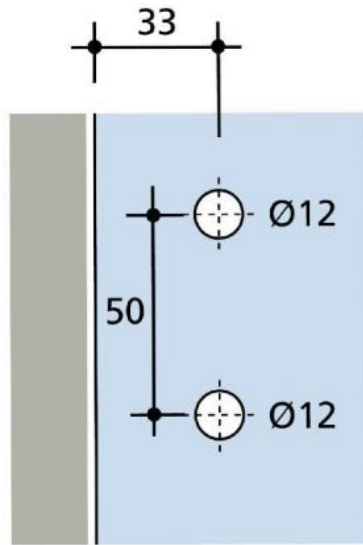
## 60.30230.17

### Winkelverbinder Synera

Material: inox V2A  
Finish: polished  
Mounting: glass/wall 90°  
Glass thickness: 8 - 10 mm  
Sales unit (SU): St  
Unit package: 1.00  
Shape: square  
Glass processing: Notch  
Carrying capacity: 45 kg/pair

auch für Aussenanwendung geeignet





## Glass cut-out Entaille

