

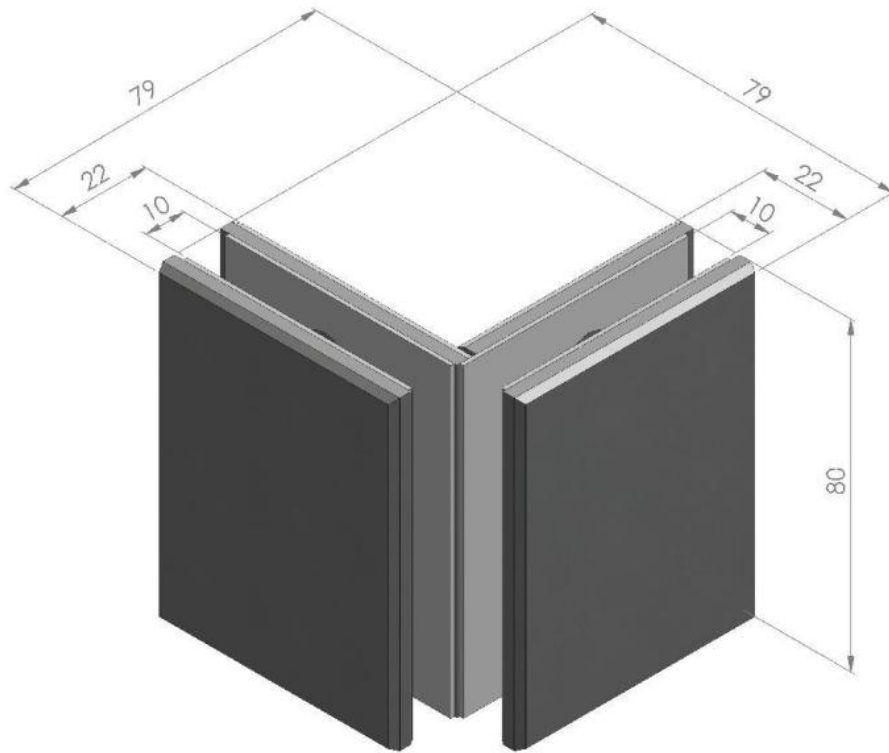
60.30260.17

Winkelverbinder Synera

Material: inox V2A
Finish: polished
Mounting: glass/glass 90°
Glass thickness: 8 - 10 mm
Sales unit (SU): St
Unit package: 1.00
Shape: square
Glass processing: Notch
Carrying capacity: 45 kg/pair

auch für Aussenanwendung geeignet





Glass cut-out

Glass thickness	A	B
10 mm	43	33
8 mm	42	34

