

Filigree design solution for 1 and double wing/folding all-glass doors, glass thickness 8 mm

## Main features

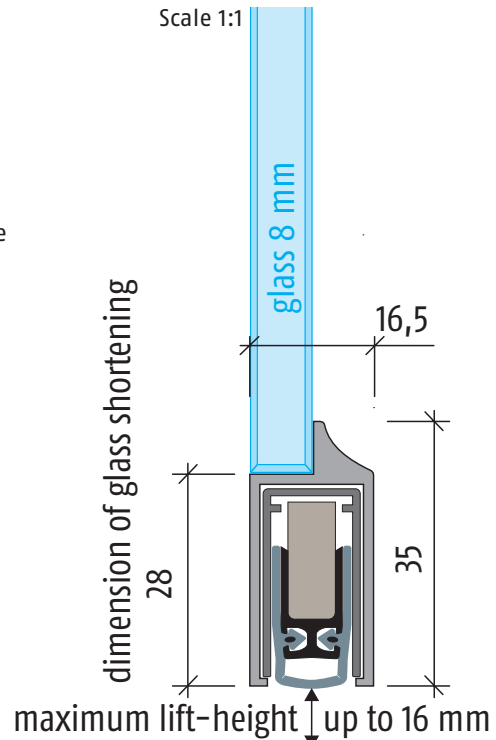
- lift height 16 mm
- suitable for functional doors
- for 1 and double wing/folding all-glass doors of 8 mm thickness
- Planet KG-D8 with UV cement on lower glass edge (building side)
- Planet drop-down seal cemented in D8 protection profile
- unilateral release with parallel drop-down
- does not trail on the floor
- automatic compensation to inclined floors
- acoustic isolation of 48 dB (at 7 mm clearance from door to floor)
- can be shortened to the next shorter length in stock
- high-grade silicone lip, simple lift height adjustment

## Versions

- Planet KG-D8
- fire-retardant and smoke-shielding, Planet KG-D8 FH+RD/48dB
- sliding doors
- special versions on request

## Surfaces

- colorless anodized EV1
- similar: Niro anodized mat finish



*Advertising text*

## Planet KG-D8

Automatic door drop-down seal **Planet KG-D8**, unilateral release with parallel drop-down and automatic compensation in case of an inclined floor, protection profile colorless EV1 or similar Niro anodized mat finish, flush with surface to be applied with UV cement from the bottom, seal height up to 16 mm. Lip made of silicone. Protection profile and profile made from aluminum 16,5×35 mm mm, incl. covering plate on lock side (for double wing/folding doors).

## Planet KG-D8 FH+RD/48dB, fire-retardant and smoke-shielding

Automatic door drop-down seal **Planet KG-D8 FH+RD/48dB**, suitable for fire-retardant and smoke-shielding doors. Sound absorption value SK 1-3, unilateral release with parallel drop-down and automatic compensation in case of an inclined floor, protection profile colorless EV1 or similar Niro anodized mat finish, flush with surface to be applied with UV cement from the bottom, seal height up to 16 mm. Lip made of self-extinguishing silicone. Protection profile and profile made from aluminum 16,5×35 mm, incl. covering plate on lock side (for double wing/folding doors).

## Technical specifications

protection profile material:	aluminium 16,5×35 mm, colorless EV1 or similar Niro anodized mat finish
seal profile:	high-grade silicone or high-grade self-extinguishing silicone
seal height:	up to 16 mm
sound absorption value:	48 dB at 7 mm clearance from door to floor, 46 dB at 14 mm clearance from door to floor
lift height adjustment:	on the release knob with an Allen key 3 mm
lengths in stock:	459, 584, 709, 834, 959, 1084, 1209, 1334 mm
special lengths:	on request up to 2000 mm, portes sliding doors up to 1600 mm
release:	unilaterally on hinge side
can be shortened:	up to 125 mm
fastening:	to be glued on
stopping plate:	stainless steel, to drive home, 20×20 mm
test approvals:	on request

Filigree design solution for 1 and double wing/folding all-glass doors, glass thickness 8 mm

## Order specifications

- **Planet KG-D8 RD/48dB**  
Part number 38 xxx\*-D8
- **Planet KG-D8 FH+RD/48dB**  
Part number 39 xxx\*-D8
- **Planet KG-D8 sliding door**  
Part number 37 xxx\*-D8

\*xxx = refer to price list for profile lengths

## Accessories / options

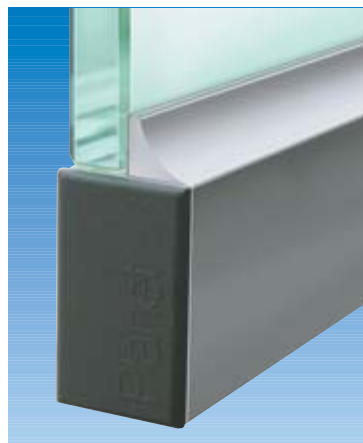
- **Planet stopping plate**  
Part number 900 014
- **cut the Planet on fixed dimension**  
Part number 900 225
- **set of cover plates Planet**  
Part number 900 252



Planet KG-D8, pasted from the bottom



Planet KG-D8, pasted from the bottom



Planet KG-D8 with cover plate on lock side



Assembly in all-glass doors and partitions



Planet KG – application in an office building

**SWISS MADE**

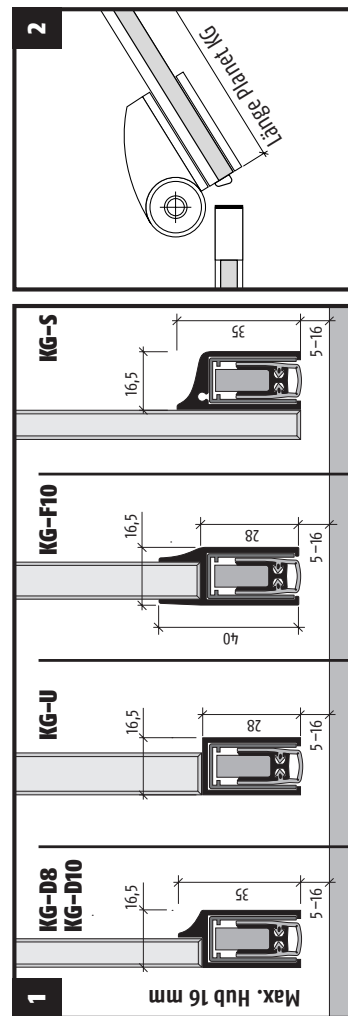
► refer to chapter mounting instructions for further information of Planet KG-D8

# Planet KG

**Einsatz: Glastüren, Planet KG-D8 / D10 / U / F10 / S (Planet KG+Schutzprofil D8/D10/U/F10/S)**

## Montageanleitung: Auslöseknopf Bandseite

- 1** **Türe-Boden-Luftabstand:** Min. 5 bis max. 16 mm.
- 2** **Kürzen des Planet KG:** Bis zur nächst kleineren Lagerlänge max. 125 mm ev. Sägespäne entfernen.
- 3** **Anpassen: Planet KG** hat beim max. Hub 16 mm eine seitliche Verschiebung der Dichtlamelle von ca. 3 mm. Schutzprofil passend und Absenkdichtung auf Schlosseite ca. 1-2 mm kürzer schneiden.
- 4** **Verkleben:** Schutzprofil vollflächig mit UV-Kleber z. B. Bohle 690 (geeignet für Glas/Metall und Temperaturänderungen, nicht geeignet für Nassräume) blasenfrei, glasklar verkleben nach Vorgabe des Kleberherstellers oder mit einem anderen geeigneten Kleber oder hochwertigen transparenten Doppelklebband (nur Typ S). Bei **Planet F10** mit Silikonkleber oder gleichwertigem Kleber in Nut verkleben.
- 5** **Befestigung:** Absenkdichtung mit Silikonkleber oder ähnlich am Rücken mit 3-5 Kleberpunkten im Schutzprofil bandseitig bündig verkleben. Position: Bandseite bündig.
- 6** **Aufklauplatte:** Bei Holzarge Mitte Druckstelle montieren.



- 7** **Hubregulierung:** Durch Drehen des Auslöseknopfes mit 3-mm-Inbus-Schlüssel. Endstellung Auslöseknopf s. Bild 2.
- 8** **Einstellung: Planet KG** soll so eingestellt werden, dass die Dichtlamelle bei geschlossener Tür am Boden sauber abdichtet.
- 9** **Achtung:** Türstopper oder ähnliches darf nicht direkt an der Dichtung anschlagen.

# Planet **Solution for sliding doors**

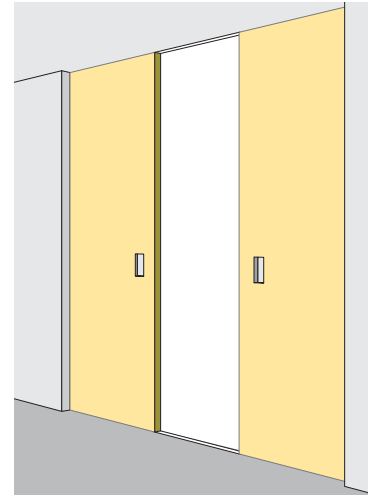
## Main features

- identical geometry to the double wing/folding doors
- parallel drop-down
- identical performance features as double wing/folding doors
- especially smooth release
- flat release knob
- simple lift height adjustment
- 5 years warranty

### To be observed:

project a door catch at building side (e.g. HAWA)

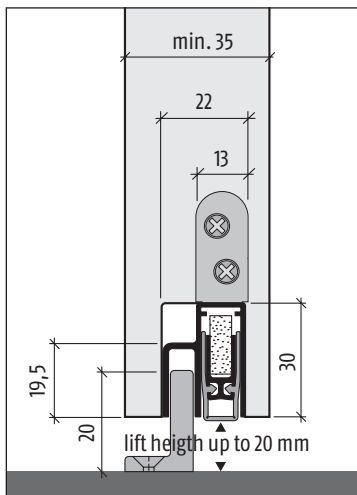
Scale 1:2 for all dimensioned drawings



## A. Solutions for doors up to the length of 1600 mm

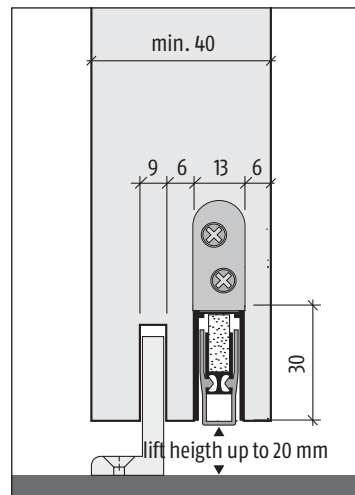
### Planet SL

16,5×30 mm



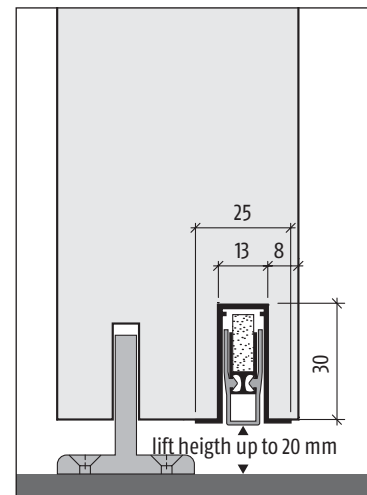
### Planet HS

13×30 mm



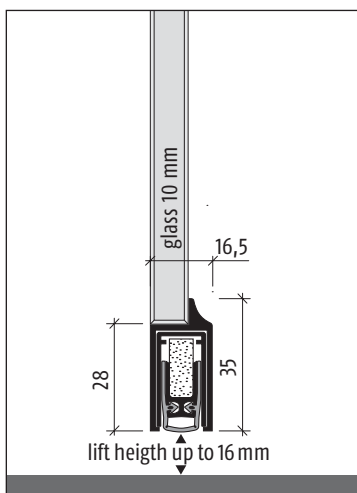
### Planet FT

13×30 mm



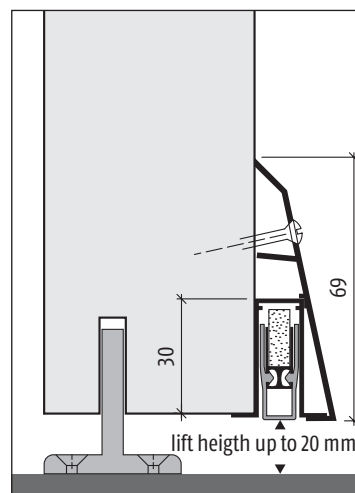
### Planet KG-D8/D10, U, S

16,5×28 (U) 35 mm (D8/D10, S)



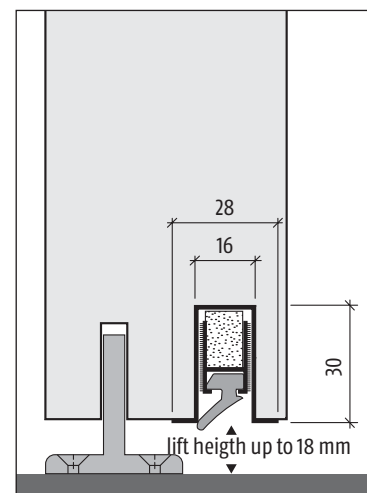
### Planet FT with socle

13×30 mm



### Planet A3 Bevel lip

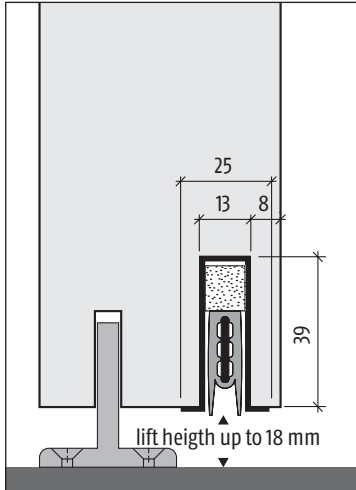
16×30 mm



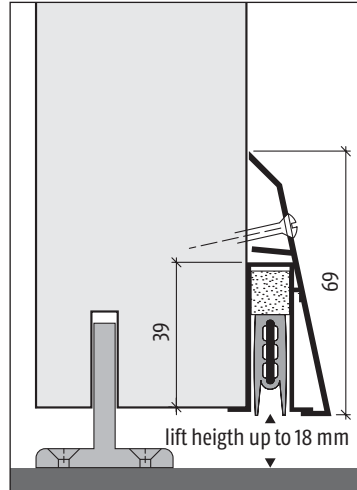
# Planet **Solution for sliding doors**

## B. Solutions for doors from the length 1601 up to 6000 mm

**Planet N**  
13×39 mm



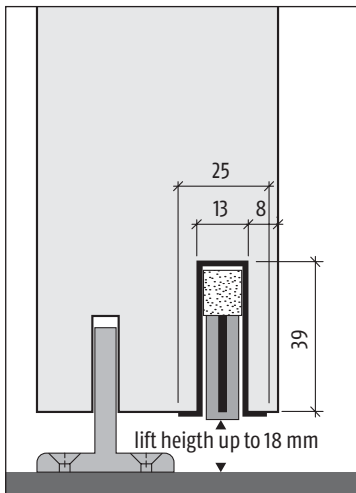
**Planet N with socle**  
13×39 mm



The Planet socle is an ideal solution for a retrofit without troubles of existing sliding doors

## C. Solutions for doors up to the length of 2000 mm

**Planet BL**  
13×39 mm



**Planet BL with socle**  
13×39 mm

