
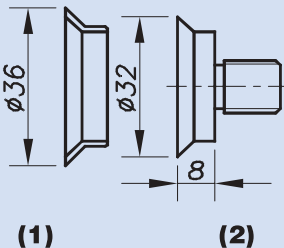
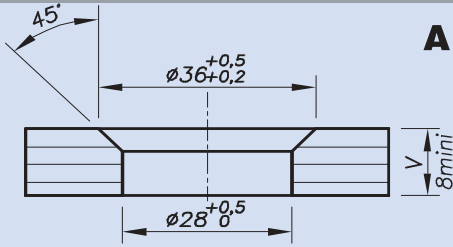

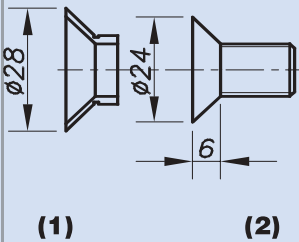
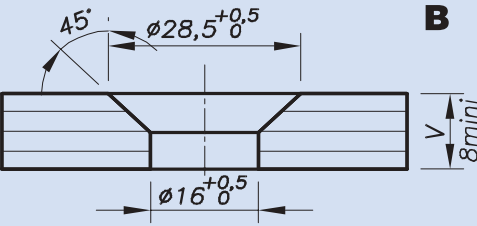

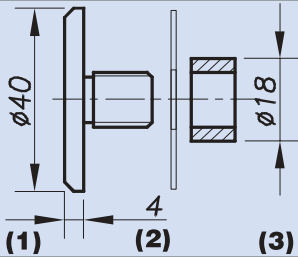
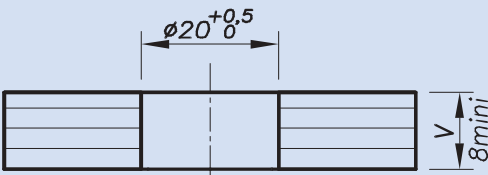
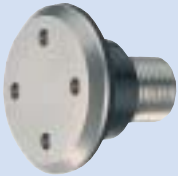
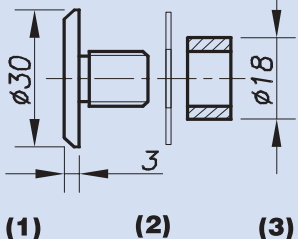
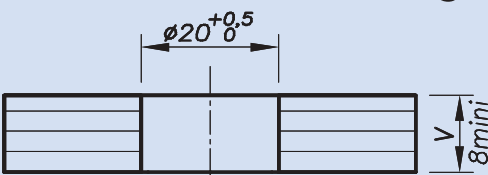


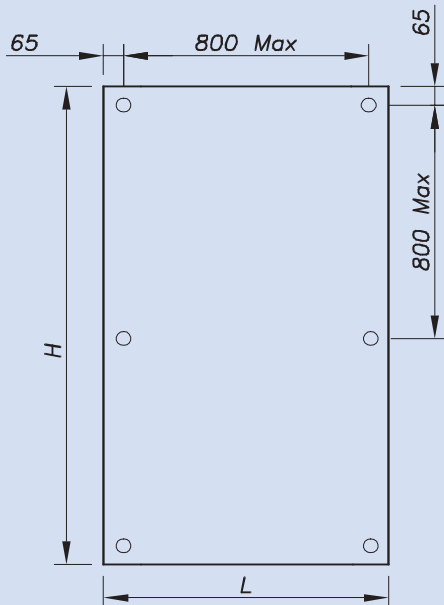


Screw type	Nomenclature		Glass drilling
		Model 06 11 1) Black poly-acetal csk ring 2) Screw body	
		Model 06 12 1) Black poly-acetal csk ring 2) Screw body	
		Model 06 24 1) Screw body 2) EPDM washer 3) Poly-acetal cylindrical ring	
		Model 06 23 1) Screw body 2) EPDM washer 3) Poly-acetal cylindrical ring	

Notes:

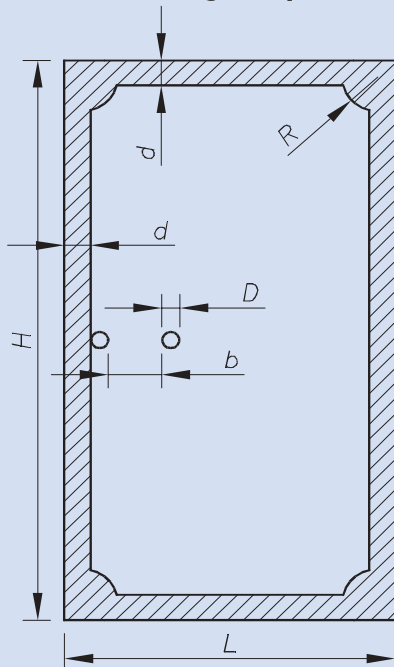
- > The glass weight must be supported on the floor unless otherwise prescribed in this catalogue.
- > Standard glass thickness for SADEV DECOR product line = 8 - 12 mm. Other dimensions: please consult us.
- > When installing other product with SADEV DECOR product line, check compatibility between the various materials in order to avoid any risk of corrosion (metal-to-metal contact).
- > Glass drilling tolerance: ± 0.5 mm
- > Screw tightening torque for monolithic, toughened glass = 15 Nm min. / Laminate, toughened glass = 5 N.m
- > Attachment pegs in walls must be suitable for the loads to be sustained (outside SADEV supply).
- > All parts are made of stainless steel of marine grade (AISI 316 L).

Glass drilling for wall point fixings et glass connectors:



- > Standard glass thickness for SADEV DECOR product line = 8 - 12 mm. Other dimensions: please consult us.
- > Glass drilling tolerance ± 0.5 mm
- > The glass weight must be supported, except in case of mounting with:
 - Wall point fixings, P/N 01 10 00
 - Glass connectors 02 24 28 Page 3-16
 - Glass connectors 02 24 29 Page 3-17
 - Glass connectors 02 29 21 Page 3-22
- > Refer to the concerned section of this catalogue for any other applications.

Basic rules for glass (for reference only: this information is not contractual).



- > **Glass panel weight:**
 $H(\text{metres}) \times L(\text{metres}) \times Th.(\text{mm}) \times 2.5$ (result in kg)
Th. = Glass thickness
- > **W min. = 8 x TH.**
- > **d min. = 2 x TH.**
- > **R min. = 4 x TH. (Th. < 12 mm)**
- > **R min. = 5 x TH. (Th. > 12 mm)**
- > **b min. = 2 x TH. (for 2 holes)**
- > **b min. = 3 x TH. (for 3 holes)**
- > **b min. = 4 x TH. (for 4 holes)**
- > **D min. = 1 x TH. (Th. < 12 mm)**
- > **D min. = 1.5 x TH. (Th. > 12 mm)**

In case of design study by us:

- > Indicate the precise dimensions of the various glass panels (Height - Width - Thickness - Types of holes).
- > For doors, indicate the opening dimensions from floor to ceiling and wall to wall or fixed panel to fixed panel.
- > Clearly indicate quantities (number of panels, doors, parts).
- > Clearly indicate the required type of finish of the SADEV DECOR products (glass bead or machine finish).
- > Clearly indicate the type of required SADEV DECOR parts (refer to the P/Ns in this catalogue).
- > Systematically enclose your drawings or sketches in order to clarify your project.

Any study carried out by SADEV will be charged on a working time basis for the project, subject to a minimum contractual amount of 150 euros. If a purchase order is placed, a client's credit note of 75% of the amount of the study will be issued.

Notes :


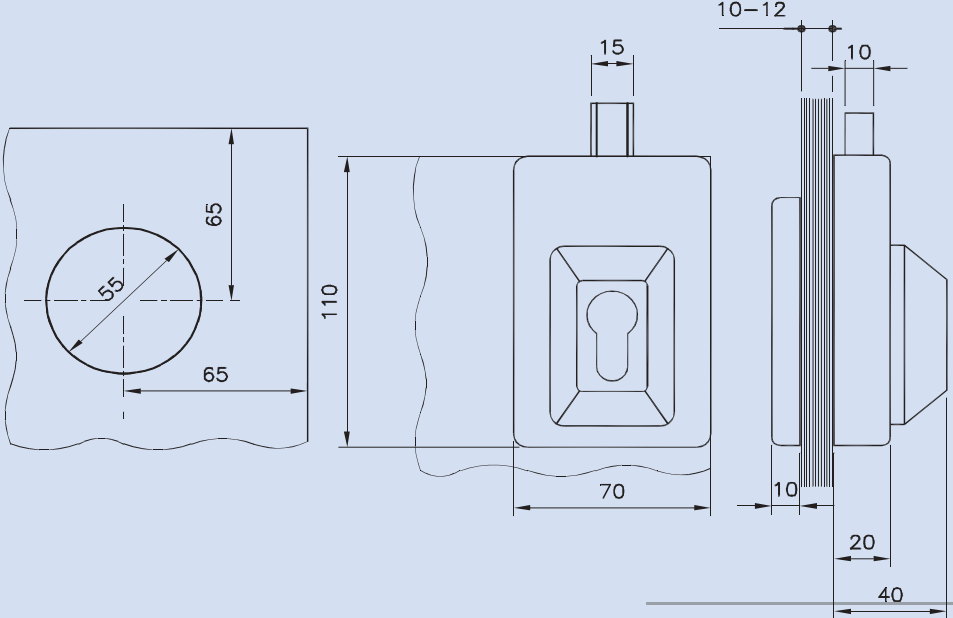
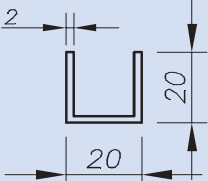

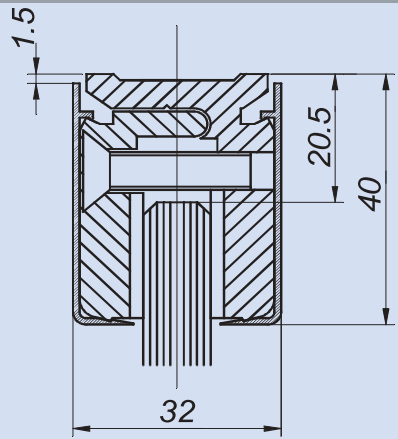
- > The glass weight must be supported on the floor unless otherwise prescribed in this catalogue.
- > Standard glass thickness for SADEV DECOR product line = 8 - 12 mm. Others dimensions: please consult us.
- > When installing other product with SADEV DECOR product line, check compatibility between the various materials in order to avoid any risk of corrosion (metal-to-metal contact).
- > Glass drilling tolerance: +/- 0.5 mm.
- > Screw tightening torque for monolithic, toughened glass = 15 Nm min. / Laminate, toughened glass = 5 N.m.
- > Attachment pegs in walls must be suitable for the loads to be sustained (outside SADEV supply).
- > All parts are made of stainless steel of marine grade (AISI 316 L).

In case of design study by us:


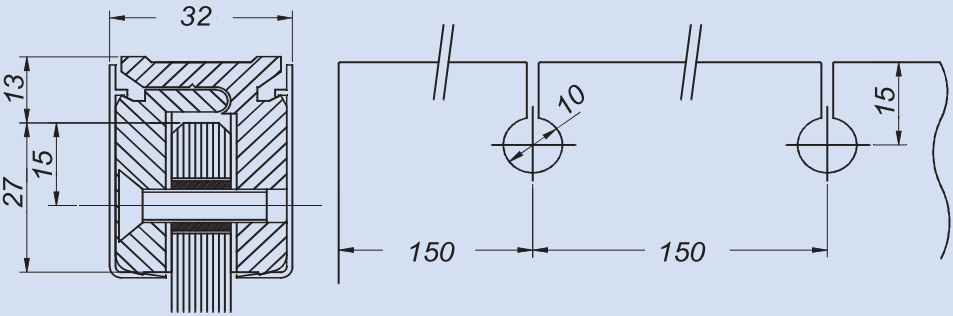
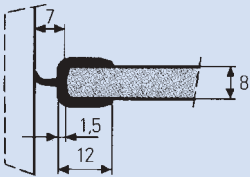
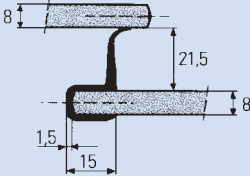
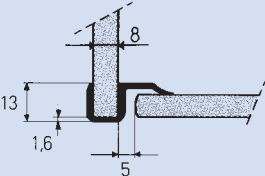
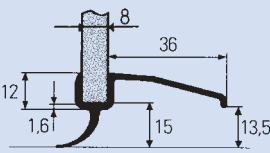
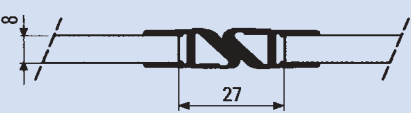
- > Indicate the precise dimensions of the various glass panels (Height - Width - Thickness - Types of holes).
- > For doors, indicate the opening dimensions from floor to ceiling and wall to wall or fixed panel to fixed panel.
- > Clearly indicate quantities (number of panels, doors, parts).
- > Clearly indicate the required type of finish of the SADEV DECOR products (glass bead or machine finish).
- > Clearly indicate the type of required SADEV DECOR parts (refer to the P/Ns in this catalogue).
- > Systematically enclose your drawings or sketches in order to clarify your project.

Any study carried out by SADEV will be charged on a working time basis for the project, subject to a minimum contractual amount of 150 euros. If a purchase order is placed, a client's credit note of 75 % of the amount of the study will be issued.

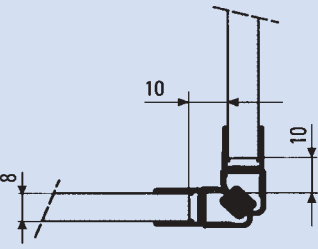
Accessory & tooling technical data sheet


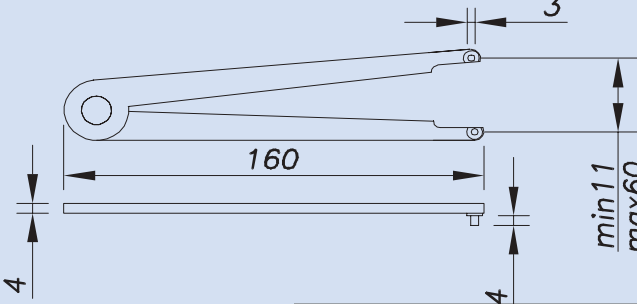
Accessory type	Technical data / Dimensioning / Price	
	Lock	Part number: 09 90 542-2
		
	U section	Part number: 09 90 20 20 2
	Std length: 2100 2500 2900	QTY: <input type="text"/> Price: <input type="text"/>
	Glass clamping section for fixed panels	Part number: 09 94 KL01R
	 <div data-bbox="1069 1668 1404 1758" style="border: 1px solid black; padding: 5px; margin: 10px 0;"> Glass = 8 / 10 / 12 mm </div> <p>Delivered with stainless steel colour cover Sold per metre</p> <p>Important: Indicate glass thickness on purchase order</p>	
	QTY: <input type="text"/>	Price: <input type="text"/>

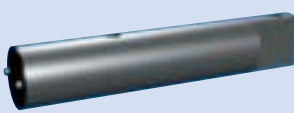
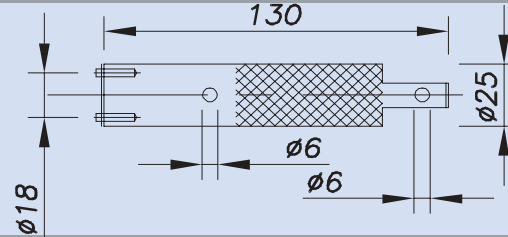
Accessory & tooling technical data sheet


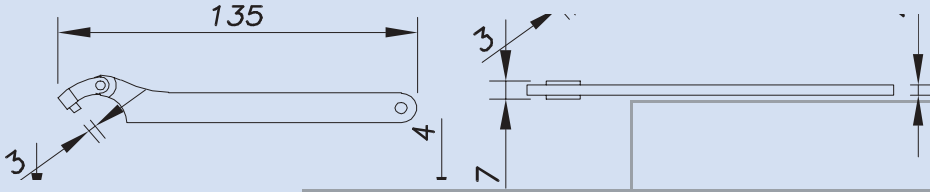
Accessory type	Technical data / Dimensioning / Price		
	Glass clamping section for fixed panels	Part number: 09 94 KL01R	
			
	Glass = 8 / 10 / 12 mm	Important: Indicate glass thickness on purchase order	
	Delivered with stainless steel colour cover Sold per metre		
	Acrylic section for shower booth 2,200 lgth	Part number: 09 96 2812-1	
		QTY: Price:	
	Acrylic section for shower booth 2,200 lgth	Part number: 09 96 2812-3	
		QTY: Price:	
	Acrylic section for shower booth 2,200 lgth	Part number: 09 96 2812-4	
		QTY: Price:	
	Acrylic section for shower booth 2,200 lgth	Part number: 09 96 2812-5	
		QTY: Price:	
	Acrylic section for shower booth 2,200 lgth	Part number: 09 96 2813-0	
		QTY: Price:	

Accessory & tooling technical data sheet

Accessory type	Technical data / Dimensioning / Price		
	Acrylic section for shower booth 2,200 lgth	P/N: 09 96 2813-6	
	Glass = 8 mm	<table border="1"> <tr> <td>QTY:</td> <td>Price:</td> </tr> </table>	QTY:
QTY:	Price:		

Tooling model	Technical data / Dimensioning / Price		
	Compass-type tightening wrench	P/N: 09 758 11 60	
		<table border="1"> <tr> <td>QTY:</td> <td>Price:</td> </tr> </table>	QTY:
QTY:	Price:		

	Tightening screwdriver	P/N: 09 758 90 90	
		<table border="1"> <tr> <td>QTY:</td> <td>Price:</td> </tr> </table>	QTY:
QTY:	Price:		

	Cylindrical spigot wrench	P/N: 09 776 C20 35	
		<table border="1"> <tr> <td>QTY:</td> <td>Price:</td> </tr> </table>	QTY:
QTY:	Price:		